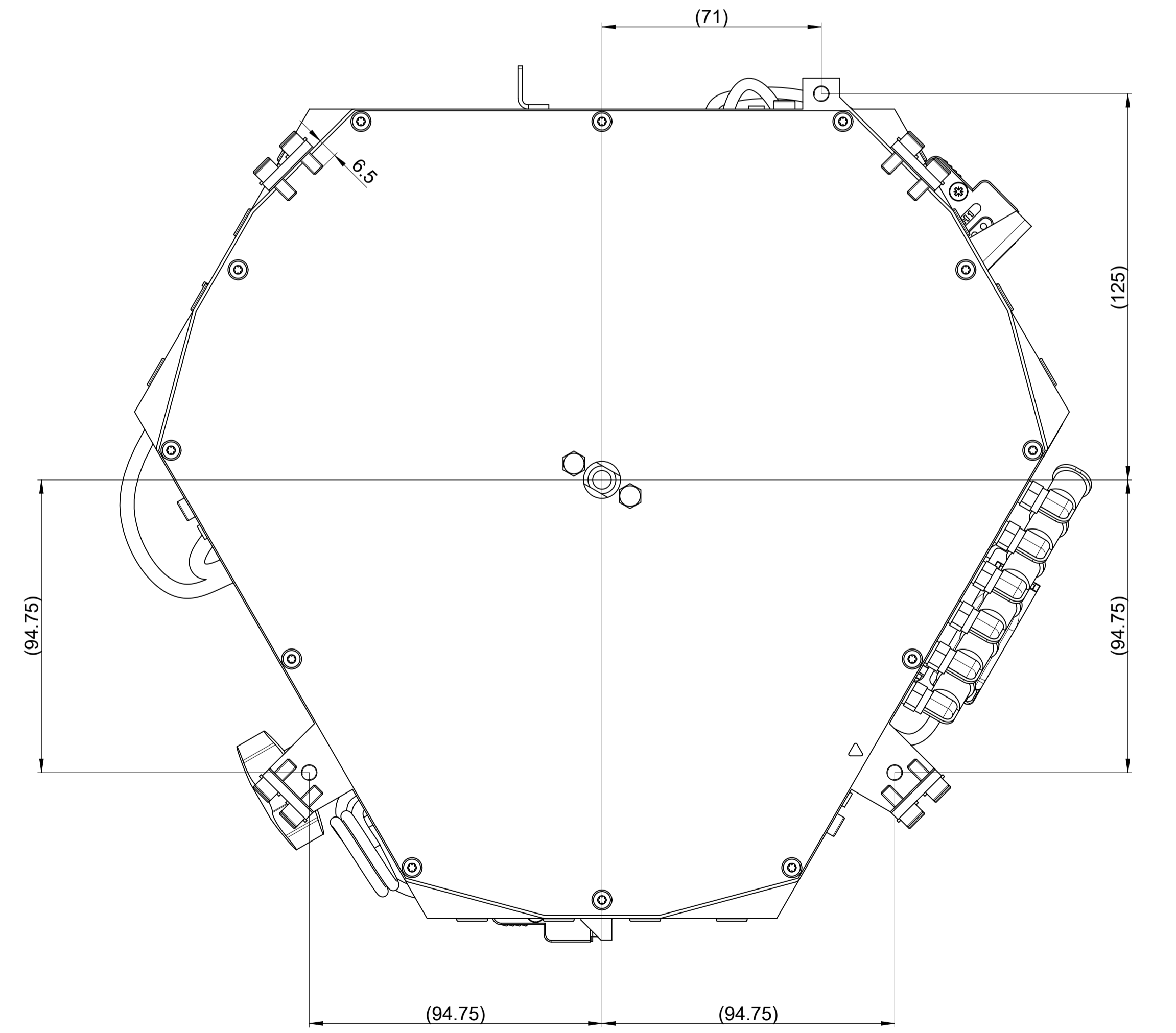
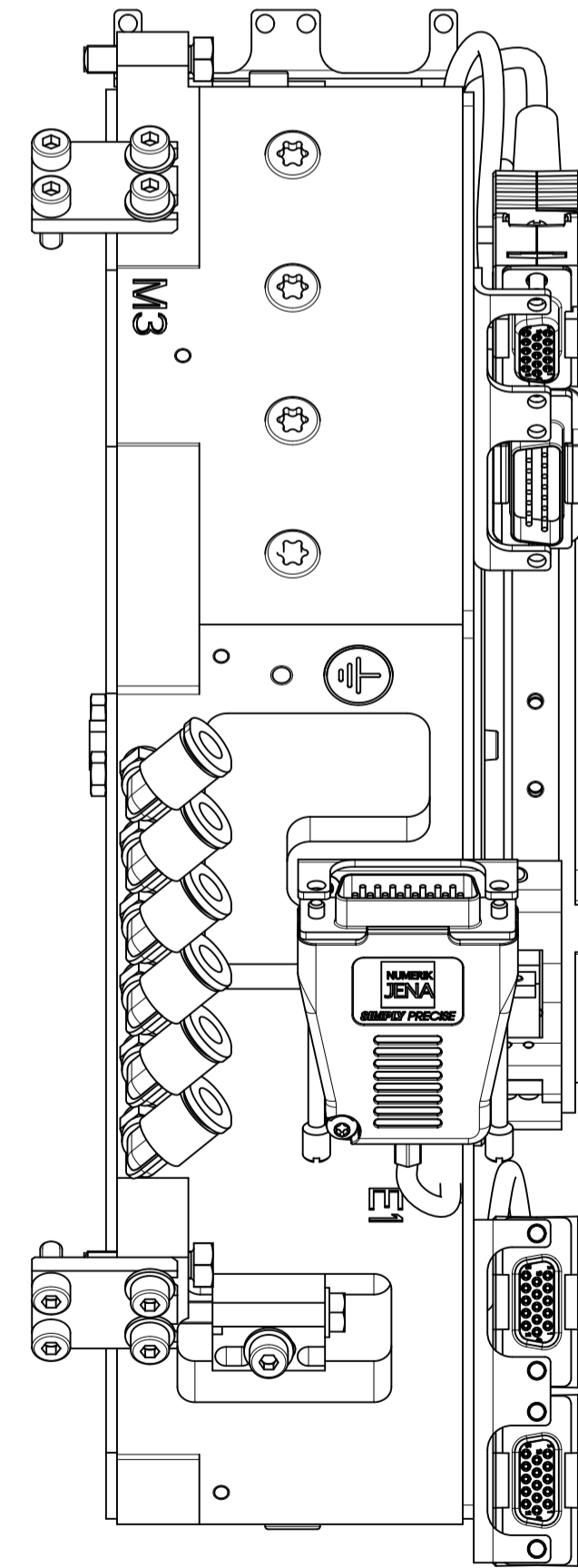
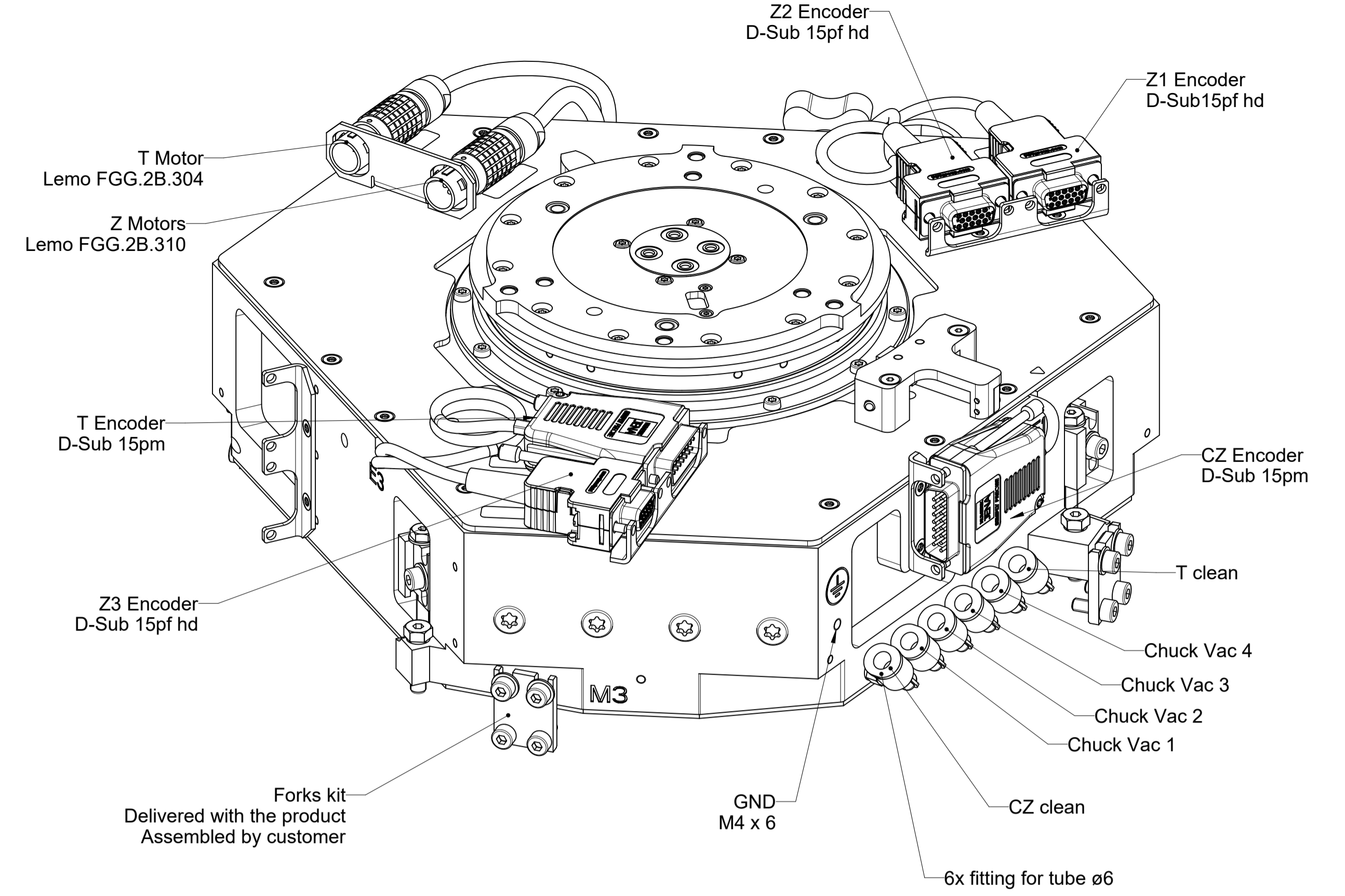
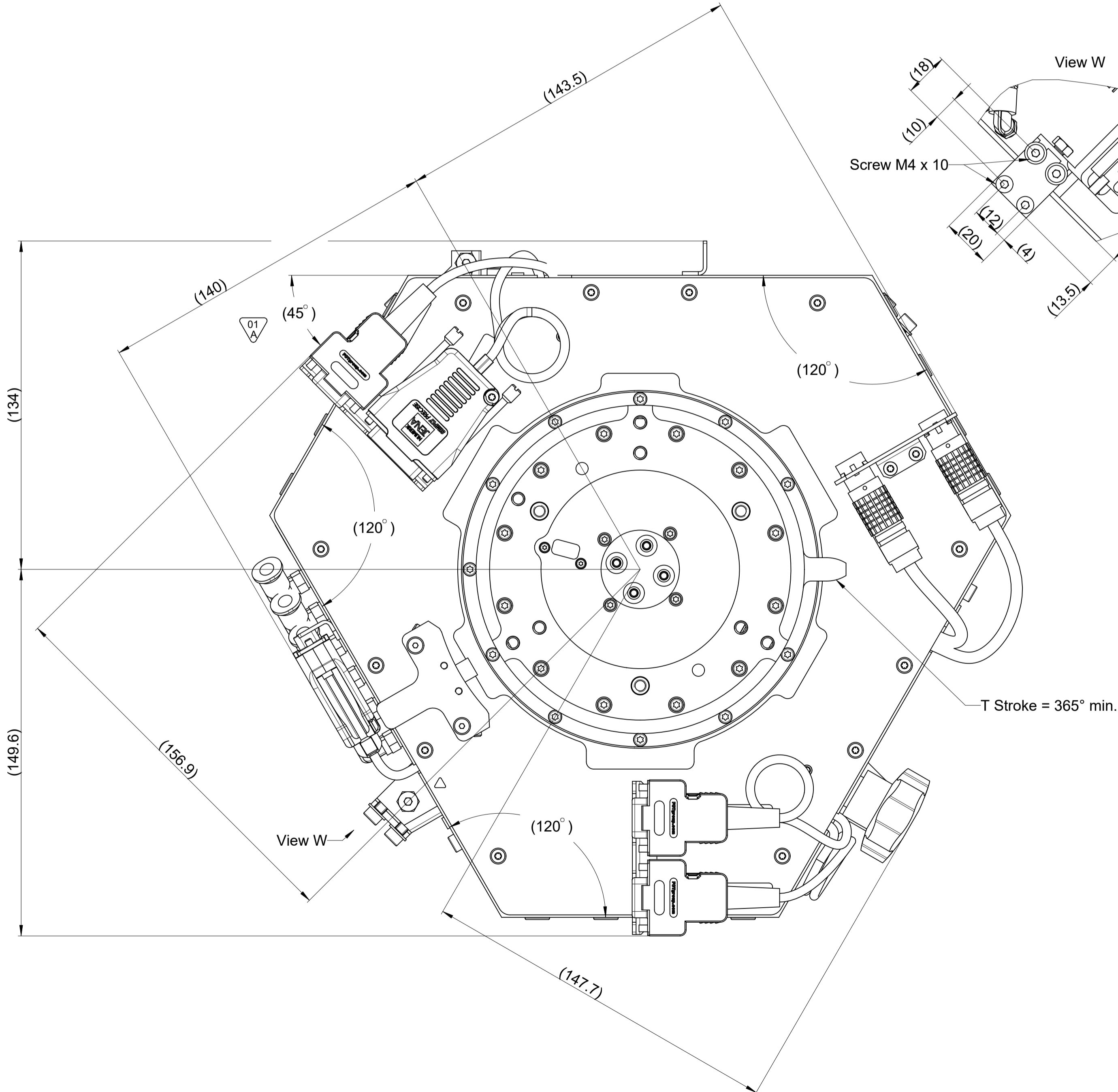
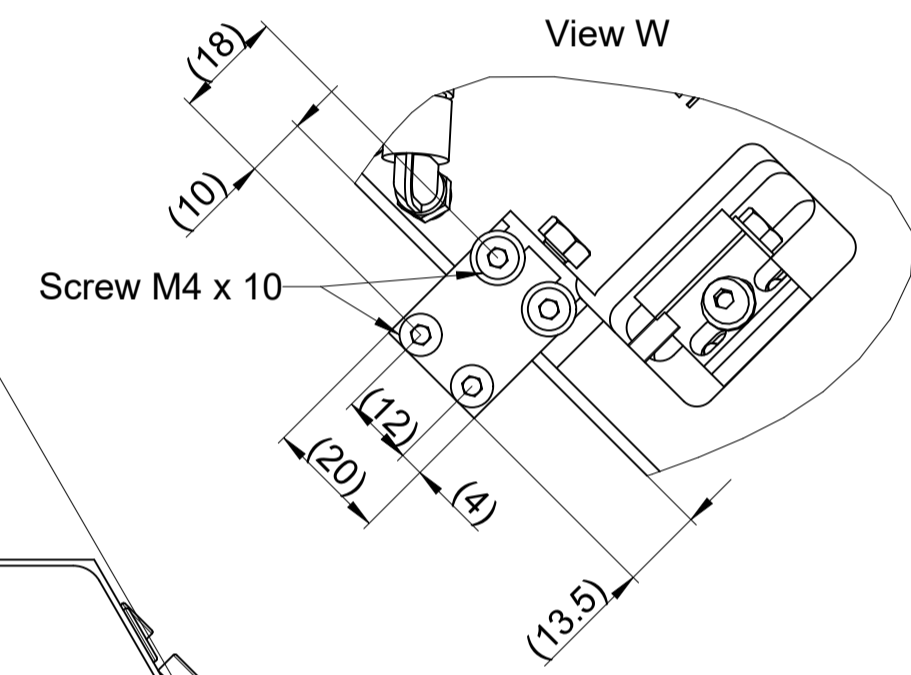
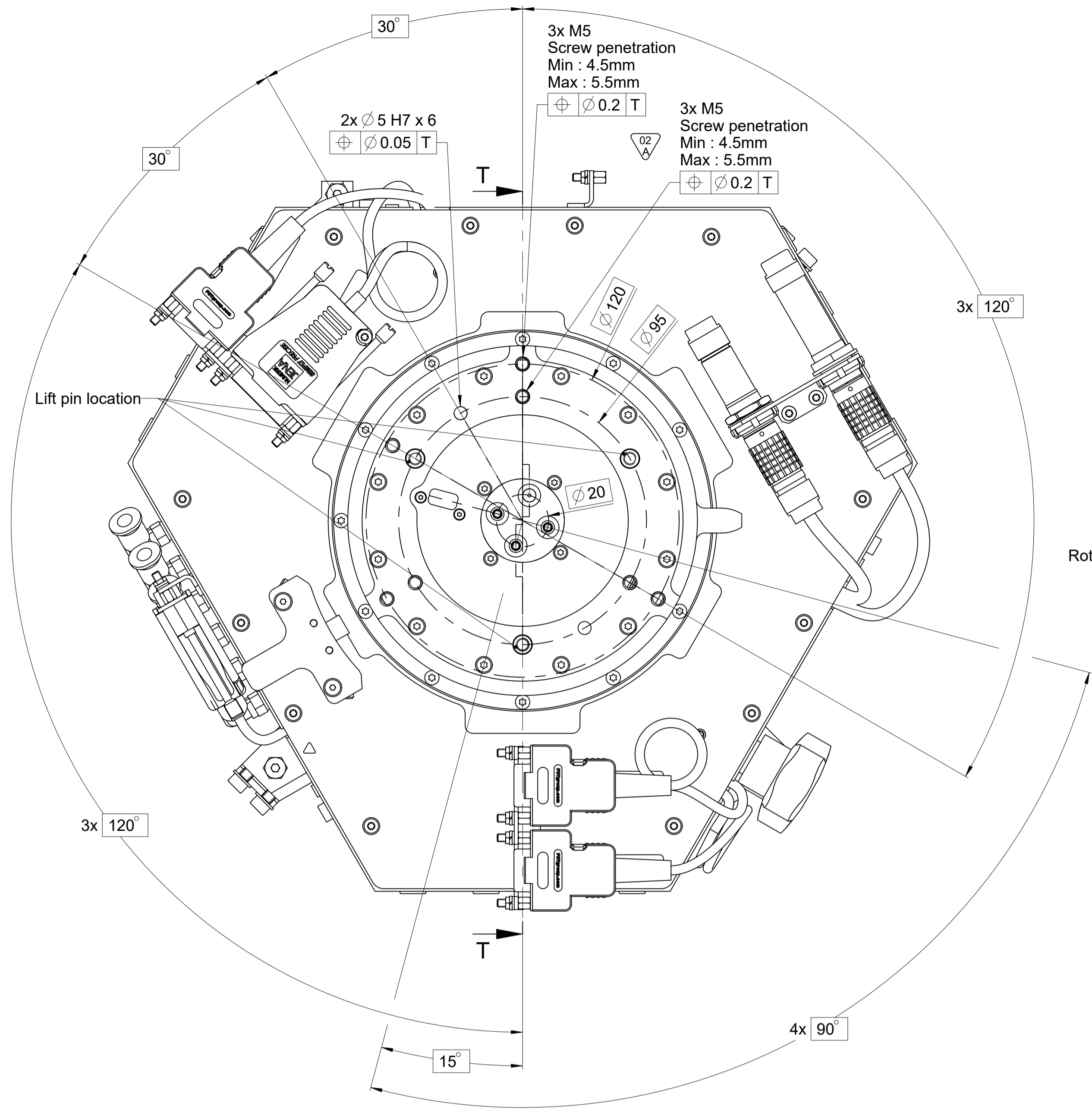


Fine Z top hardstop adjustment system.
Use according instruction of user manual.

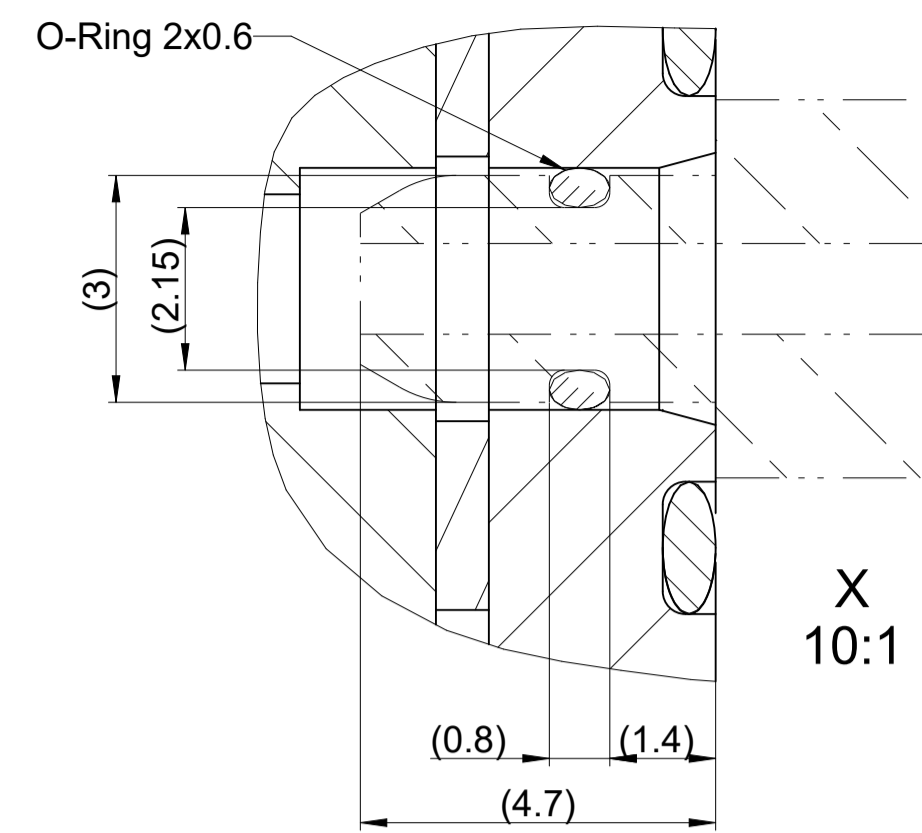
Wedge adjustment screws.
Use according instruction of user manual.



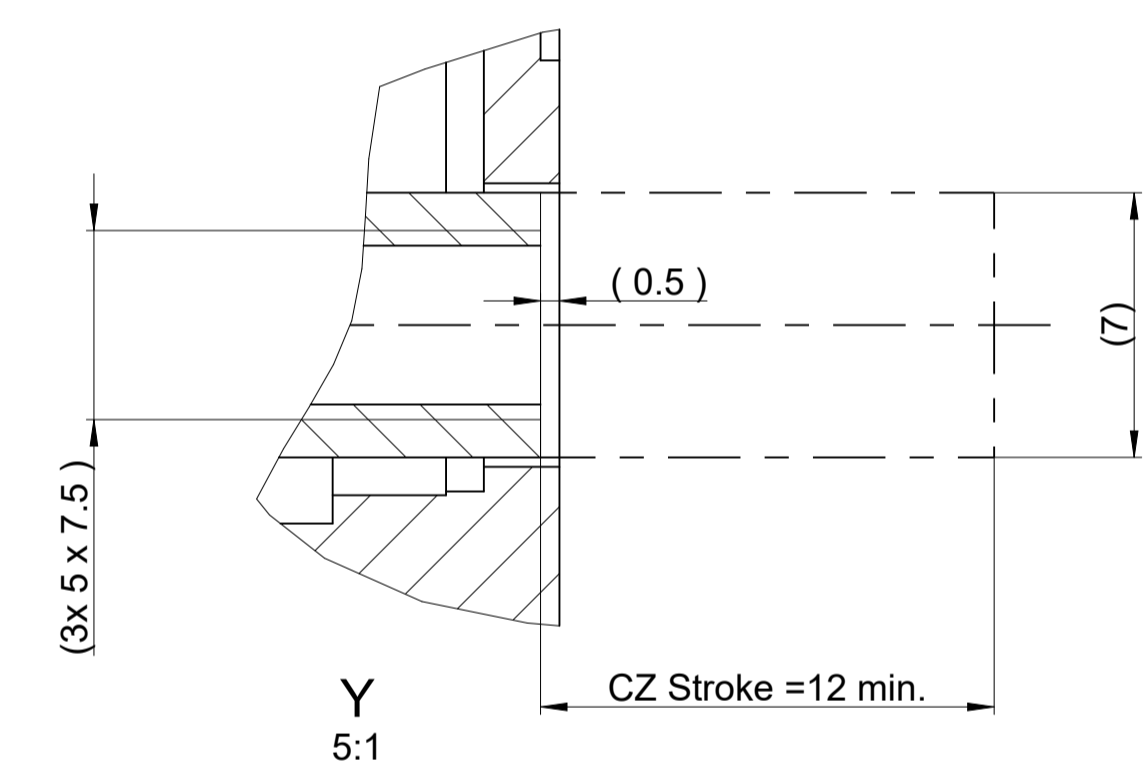
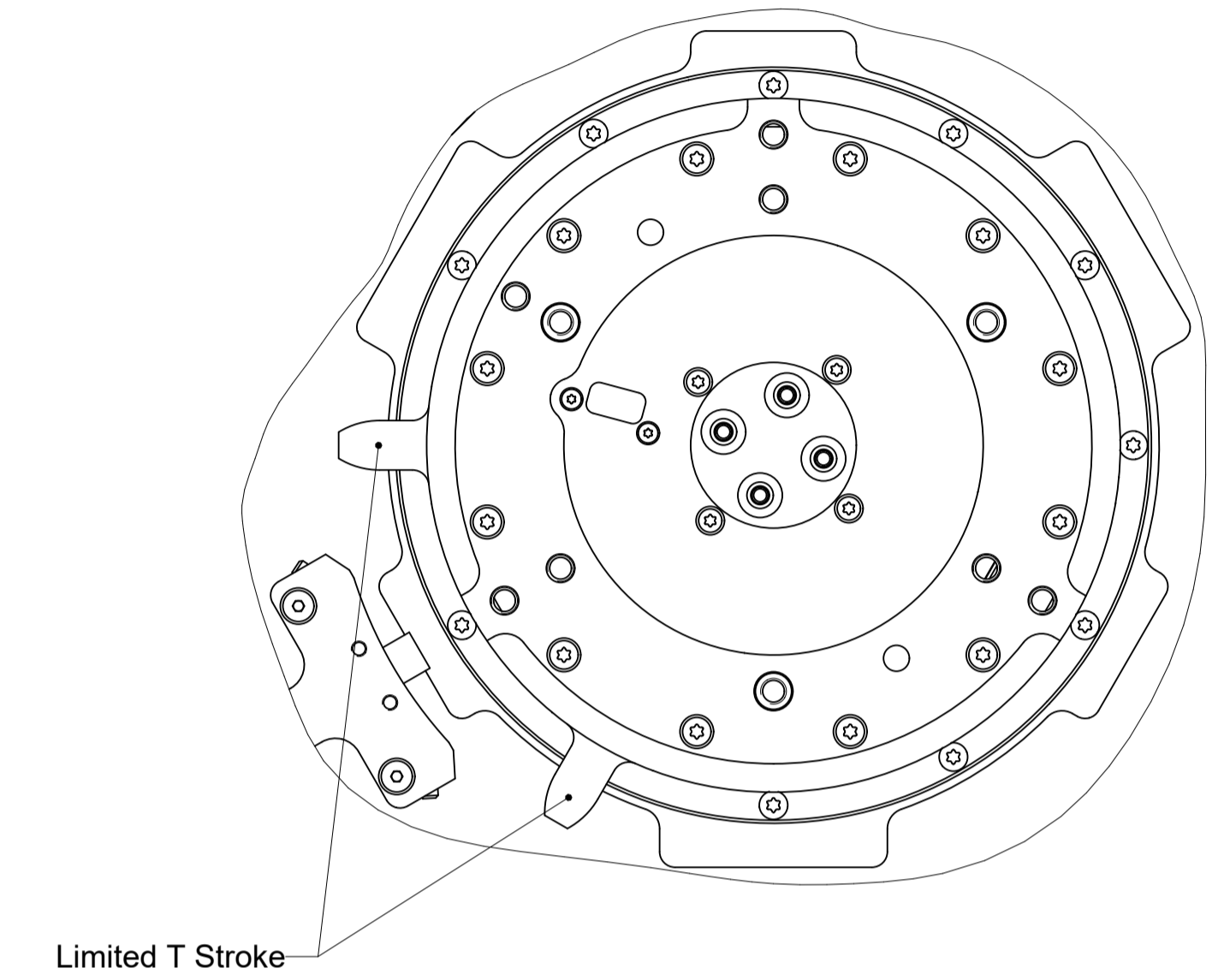
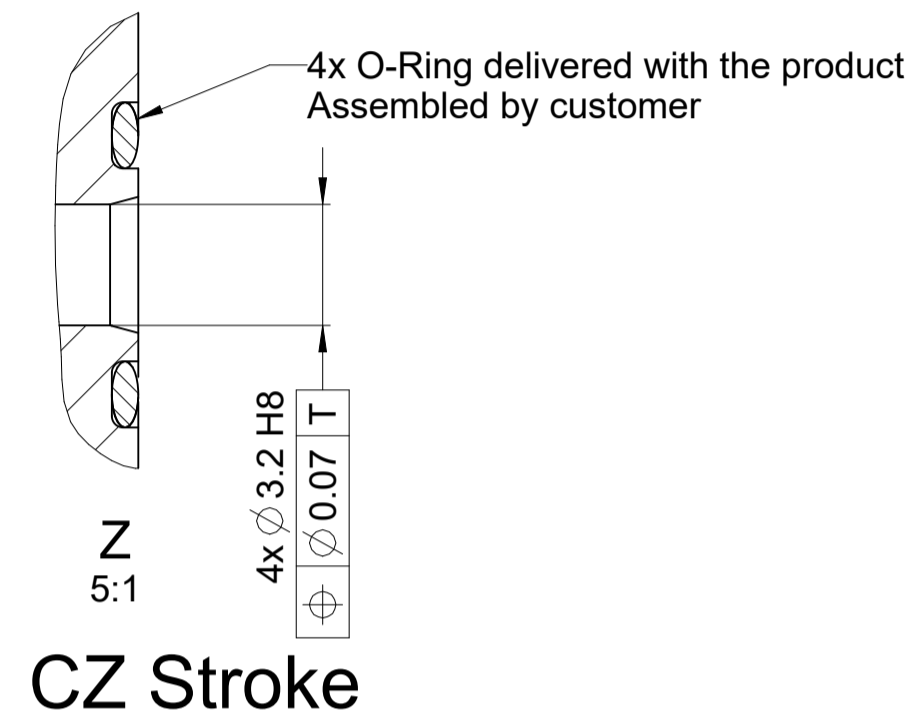
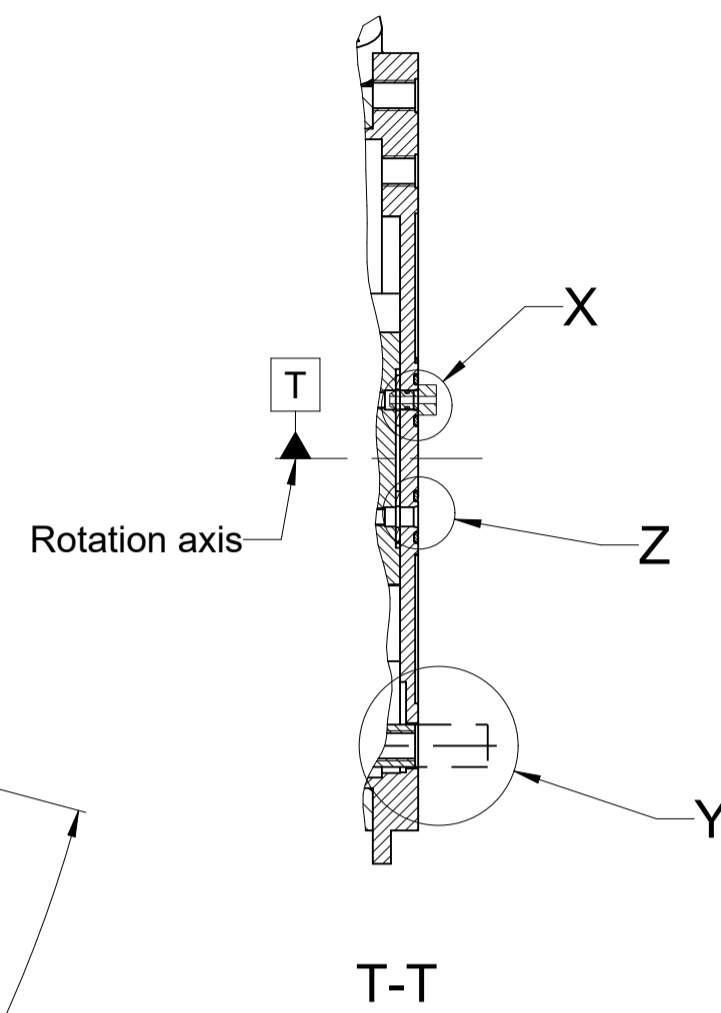
Text: Add note : Screw penetration		ID number: 1324806-
Original drawing		Change No. C139467-10
Scale	Format	Released: 17-Jun-22
Dimensions in mm	4:5 A1	Tolerances as per ISO 8015 : 2011 Tolérances selon ISO 8015 : 2011
Mating Dimensions / Cotes d'encastrement		Dimensions without tolerance Dimensions sans tolérances
The reproduction, distribution and utilization of this document as well as the communication of its contents to others without express authorization is prohibited. Offenders will be held liable for the payment of damages. All rights reserved in the event of the grant of a patent, utility model or design. (ISO 18015)		
ETEL ETEL S.A. 2112 Möllers SWITZERLAND		Version Revision Sheet Page 1326462-02 - A-01 1 of 3



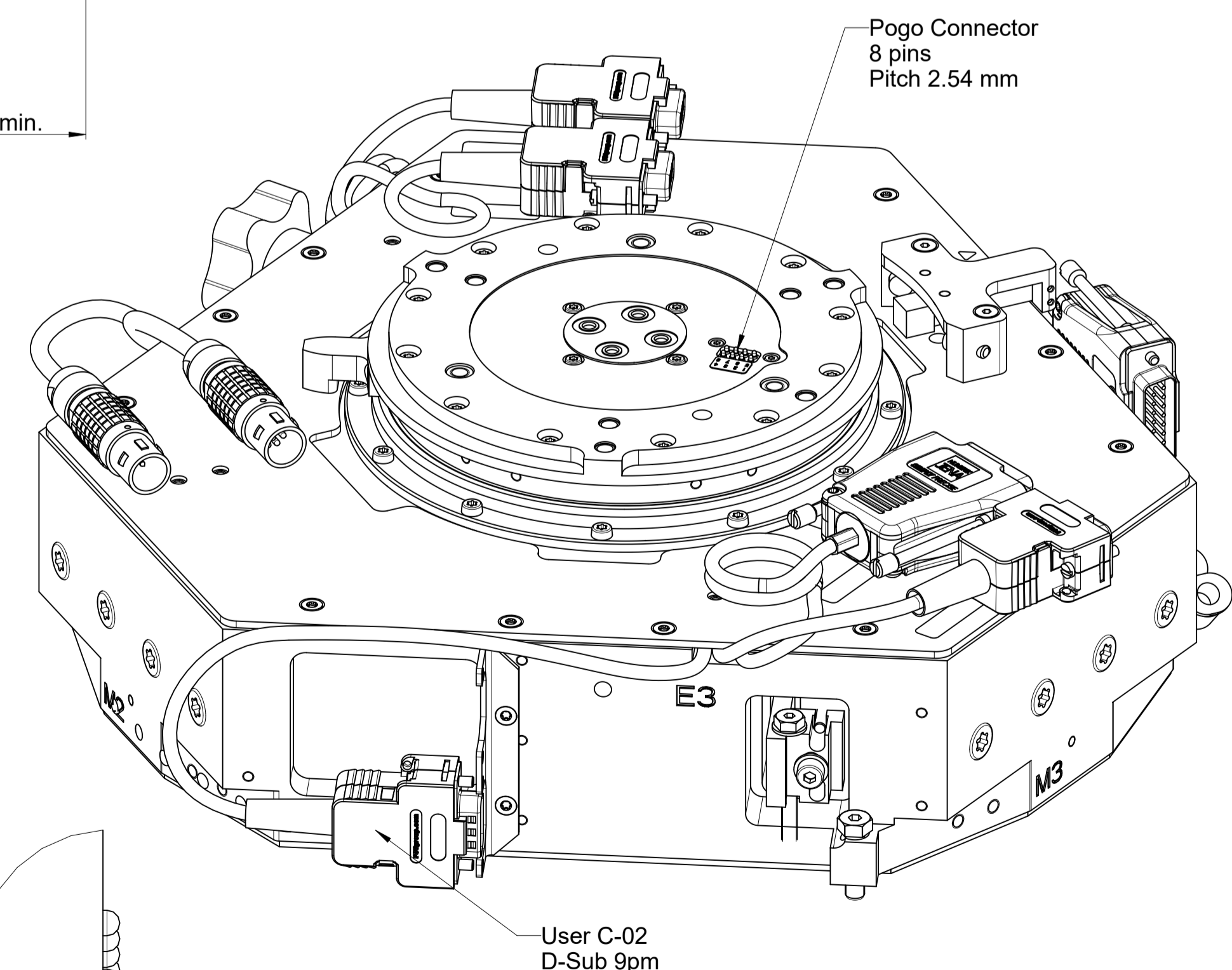
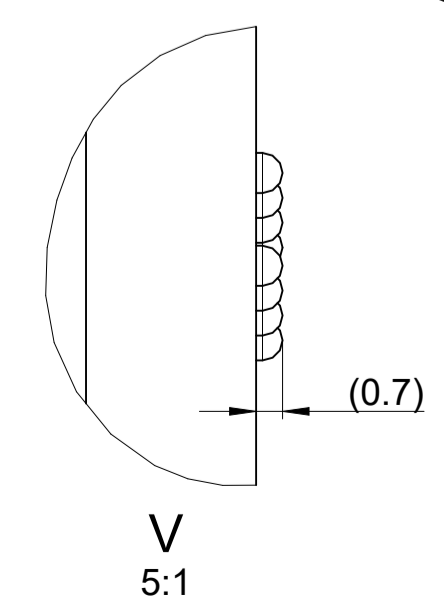
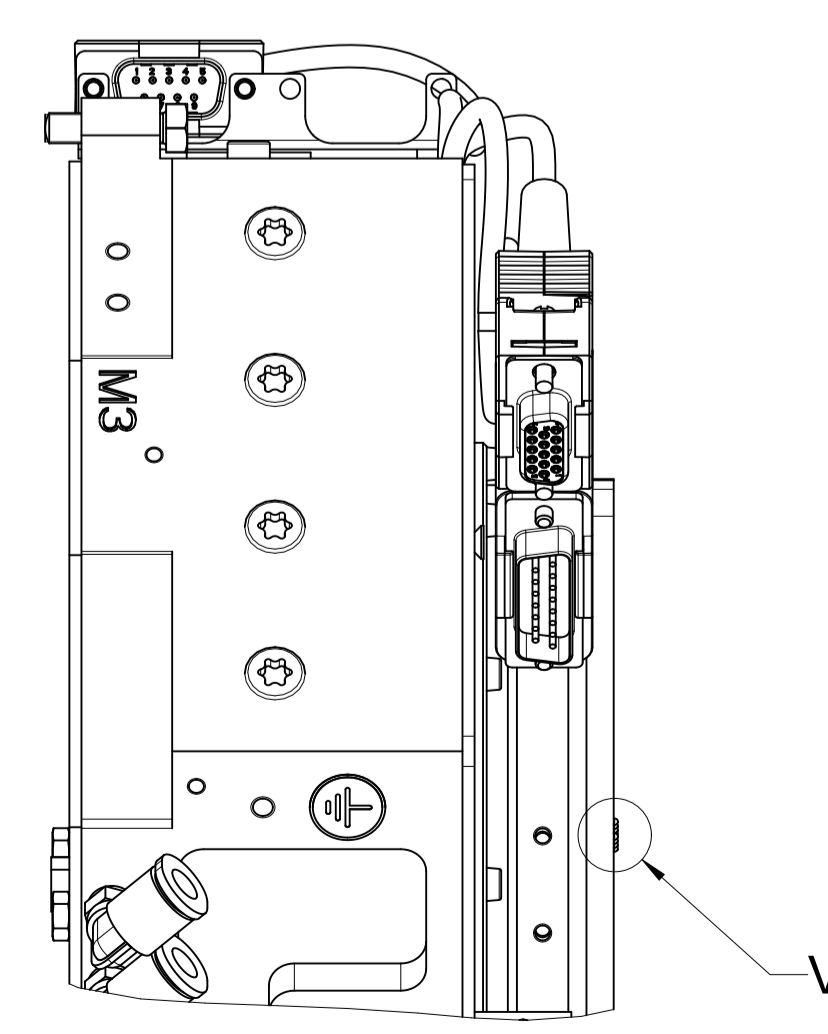
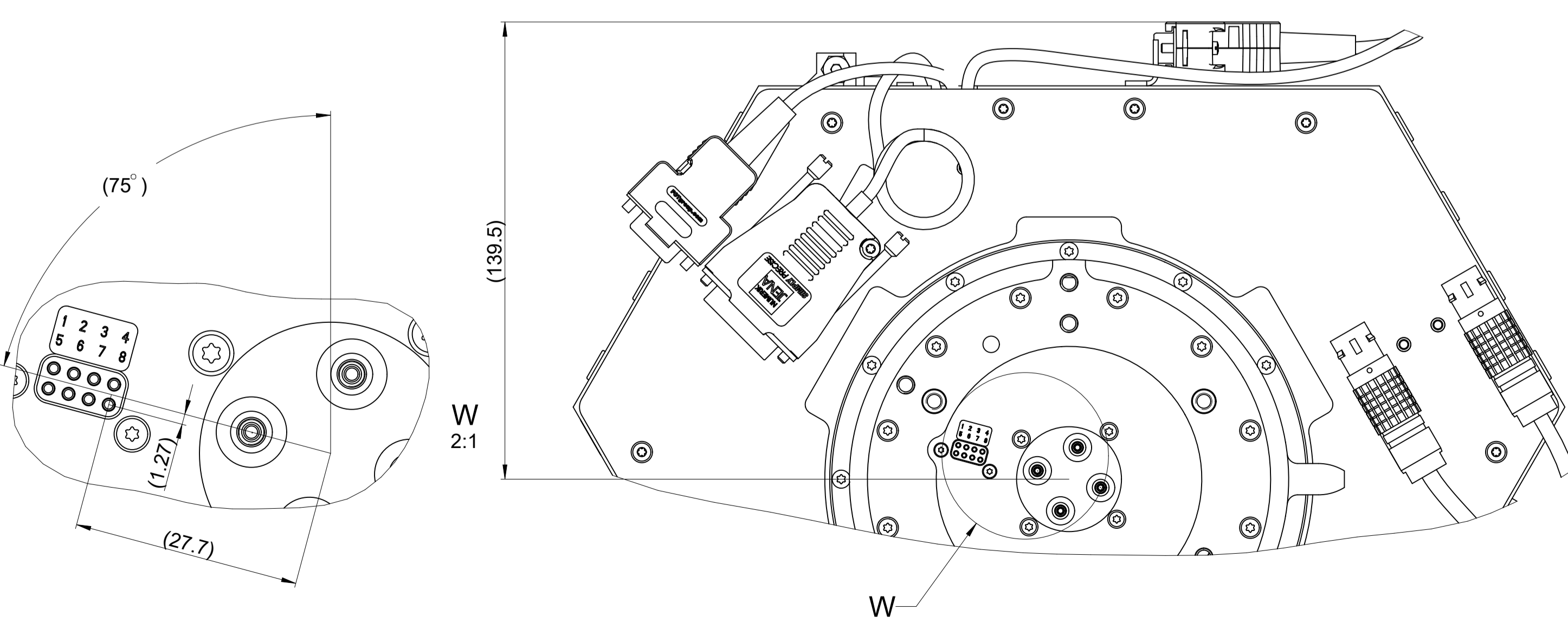
Customer fitting or part of chuck



T Stroke limited
 Option 65° min.
 Option 125° min.
 Option 185° min.
 Option 245° min.
 Option 305° min.

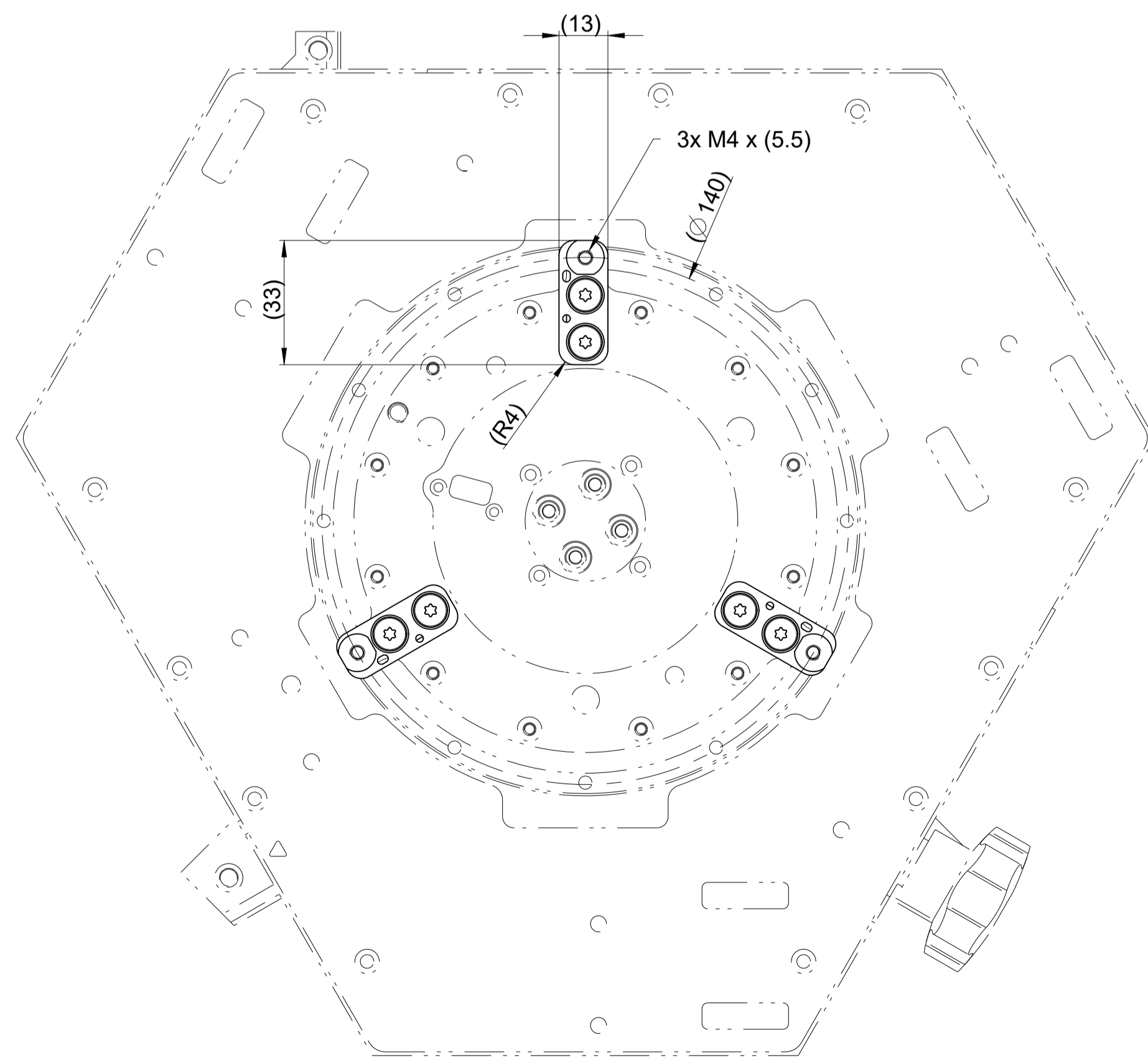
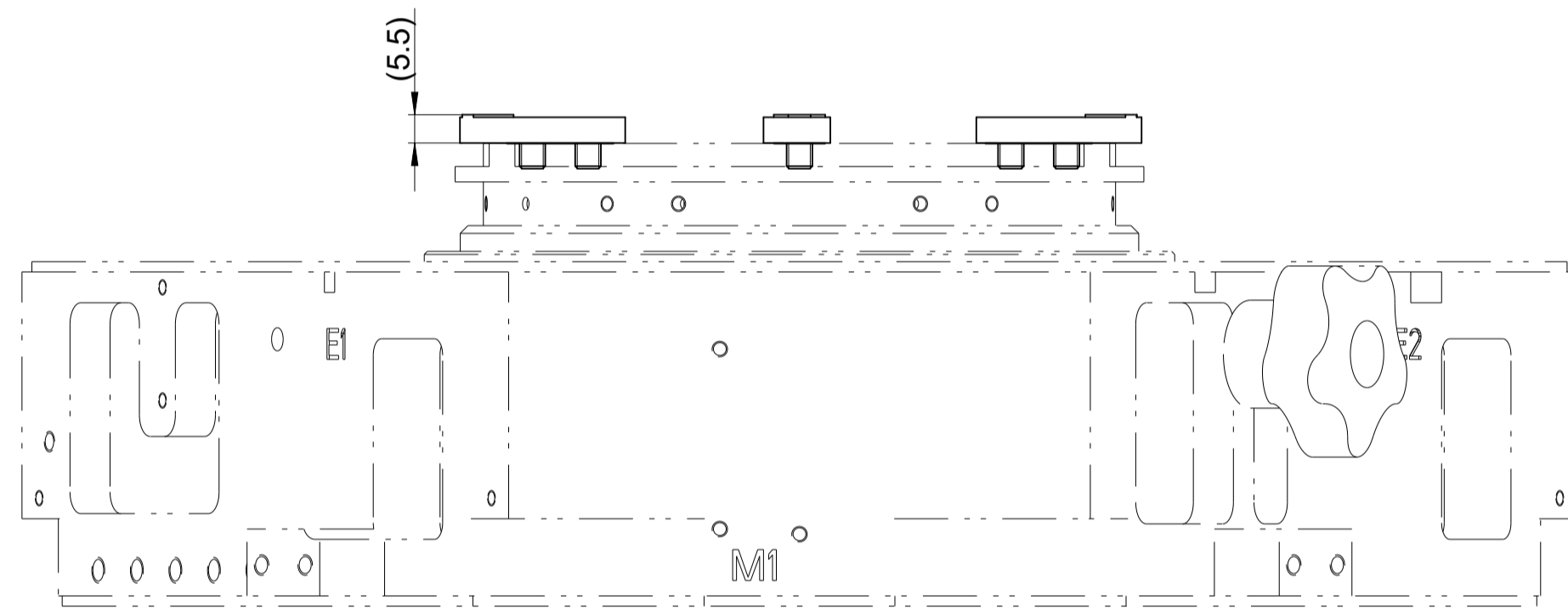
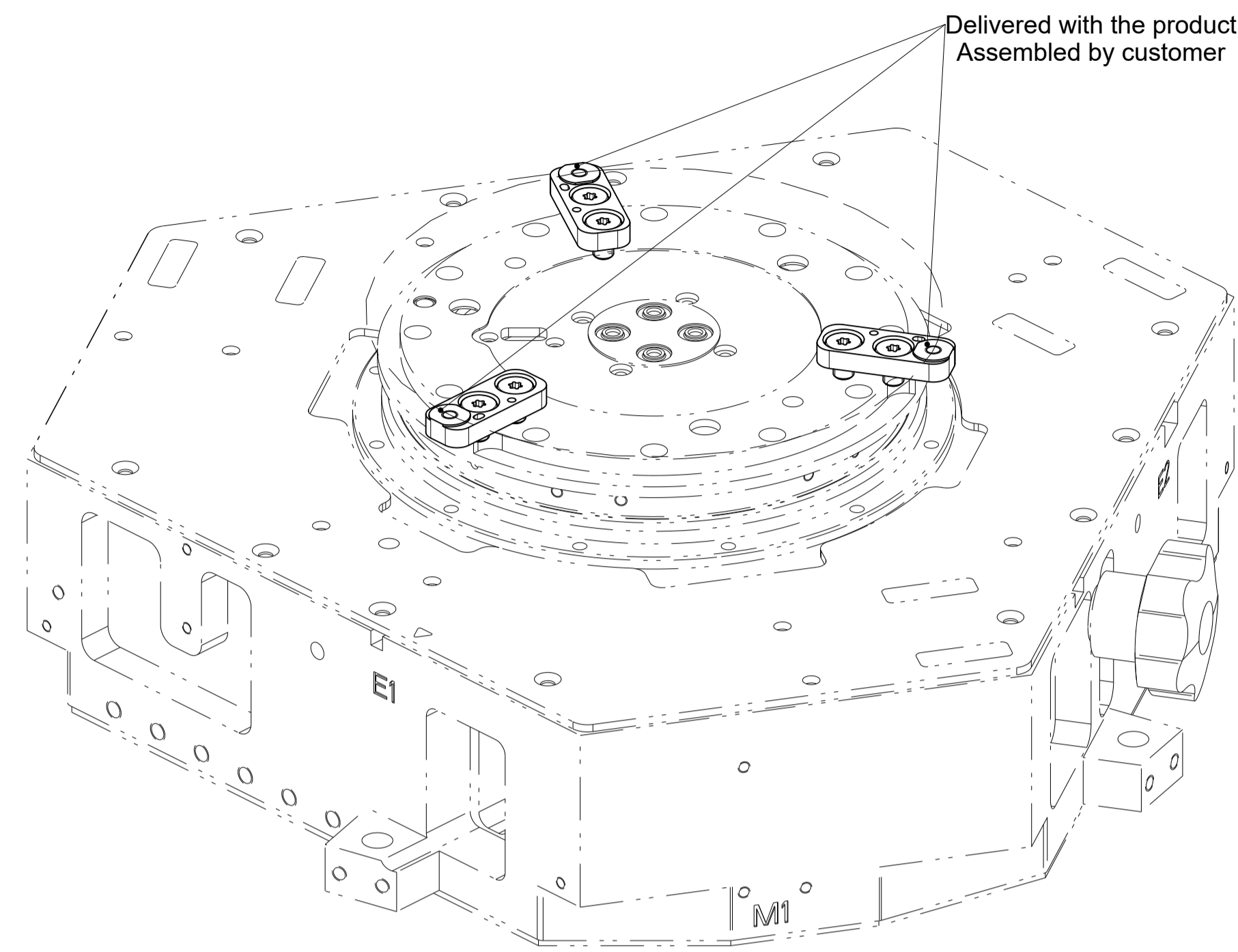


Pogo Connector 8 Pins on rotative part

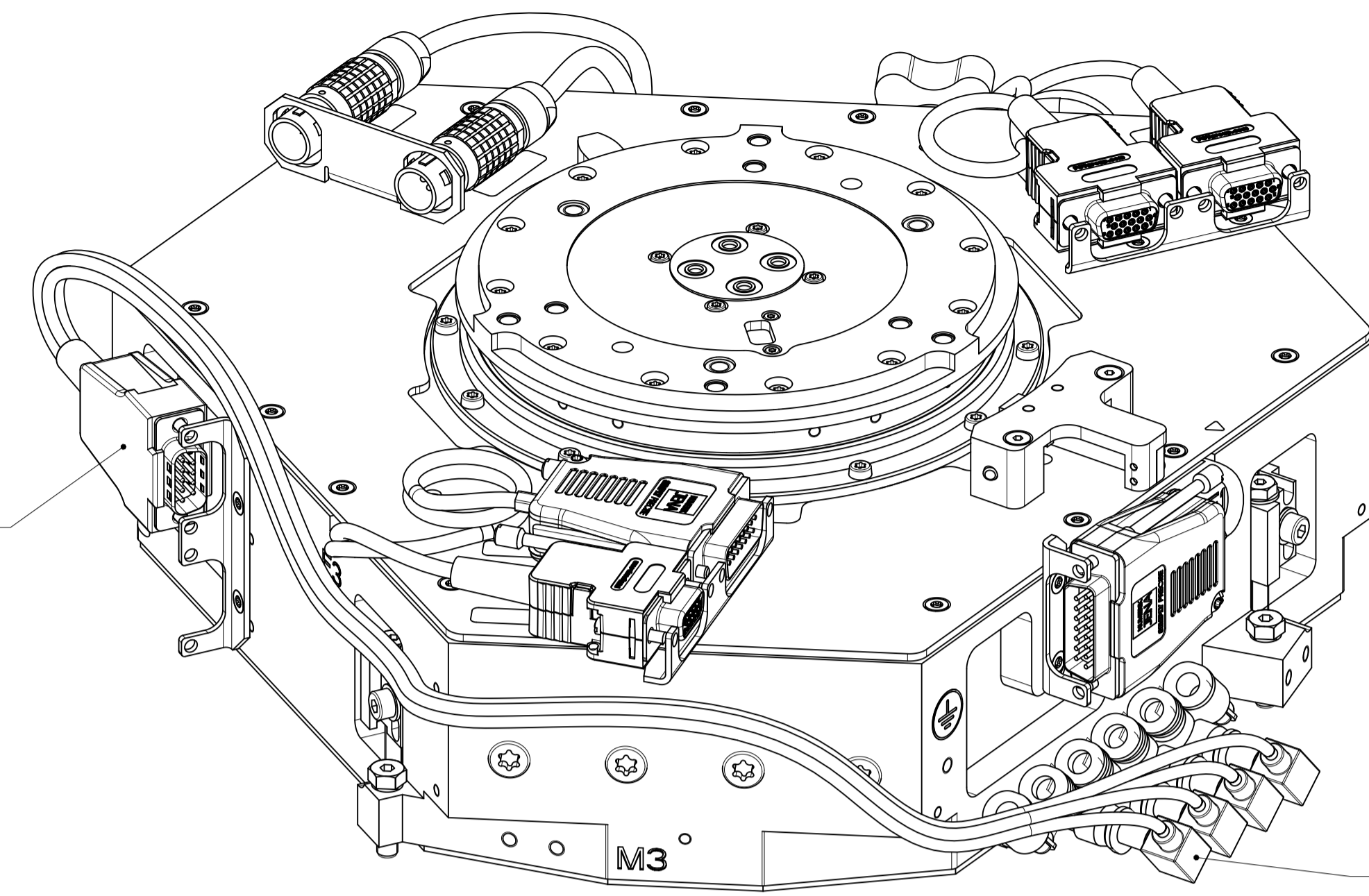


Text: Add note: Screw penetration			ID number: 1324806-
Original drawing			Change No. C139467-10
Scale: 4:5			Released: 17-Jun-22
Format: A1			Tolerances as per ISO 8015: 2011
Dimensions in mm			Tolerances selon ISO 8015: 2011
Mating Dimensions / Cotes d'encastrement			Dimensions without tolerance
The reproduction, distribution and utilization of this document as well as the communication of its contents to others without express authorization is prohibited. Offenders will be held liable for the payment of damages. All rights reserved in the event of the grant of a patent, utility model or design. (ISO 15015)			Dimensions sans tolérances
ETEL ETEL S.A. 2112 Möllers SWITZERLAND			Version Revision Sheet Page
1326462-02 - A-01			2 of 3

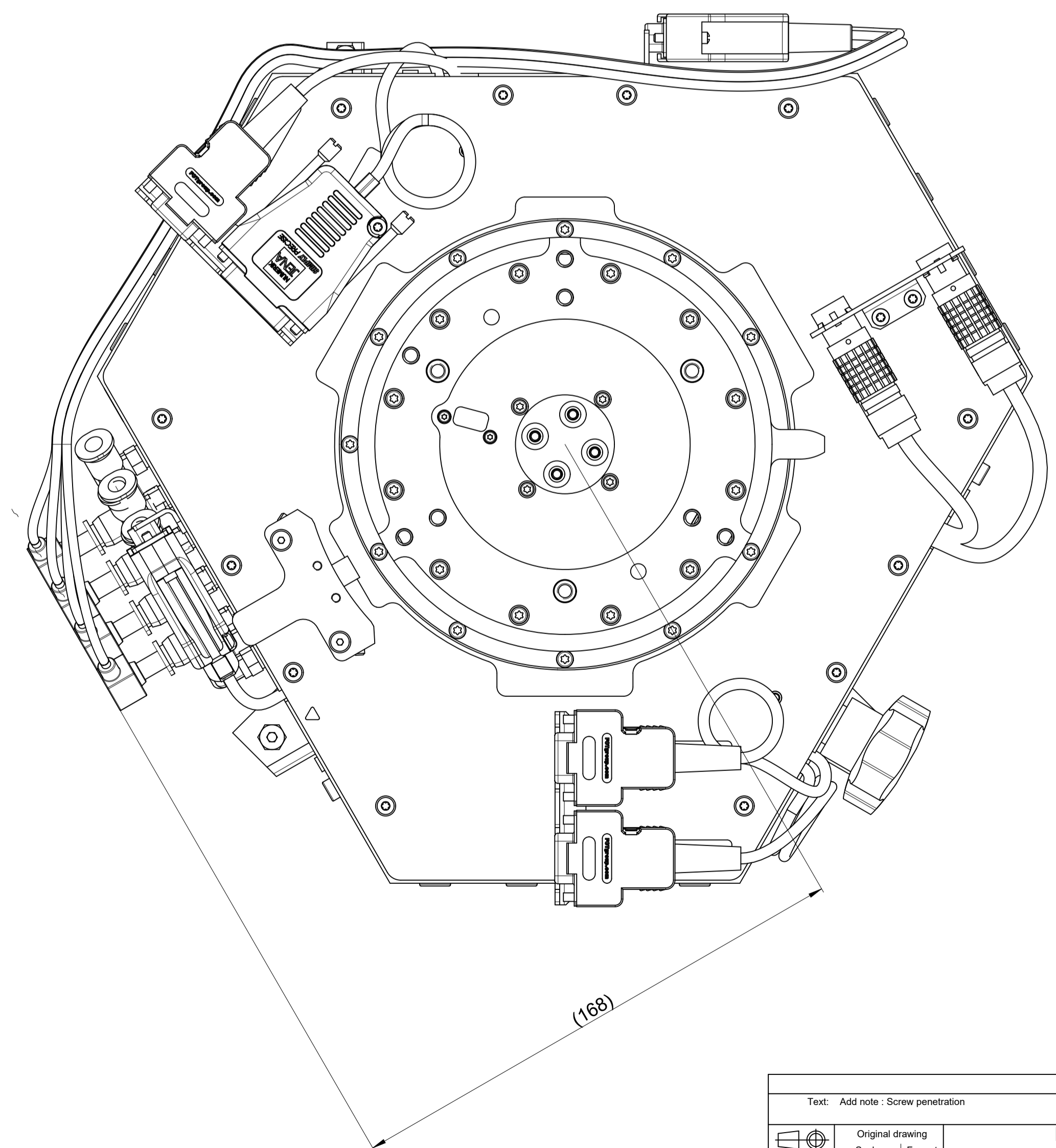
Wobble adjustment kit



Vacuum 2



4x Vacuum sensors for :
 Chuck Vac 1
 Chuck Vac 2
 Chuck Vac 3
 Chuck Vac 4



Text: Add note : Screw penetration		ID number: 1324806-
Change No. C139467-10		Released: 17-Jun-22
Multi axis system Z3TM+ Système multi-axes Z3TM+ Mating Dimensions / Coles d'encrochement		Tolerances as per ISO 8015 : 2011 Tolérances selon ISO 8015 : 2011 Dimensions without tolerance Dimensions sans tolérances
Original drawing Scale: 4:5 Format: A1	Version Revision Sheet Page ETEL S.A. 2112 Möllers SWITZERLAND	
The reproduction, distribution and utilization of this document as well as the communication of its contents to others without express authorization is prohibited. Offenders will be held liable for the payment of damages. All rights reserved in the event of the grant of a patent, utility model or design. (ISO 18015)		1326462-02 - A-01 Document number