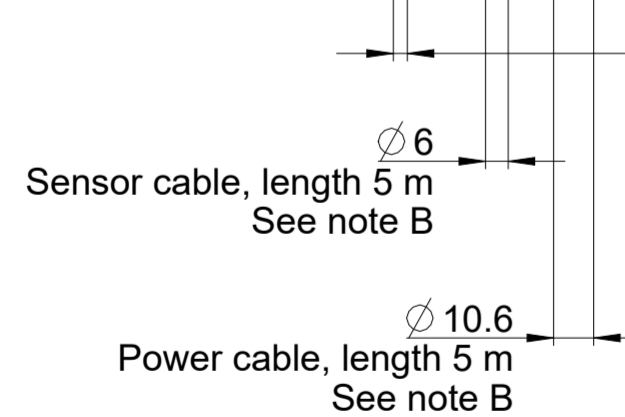
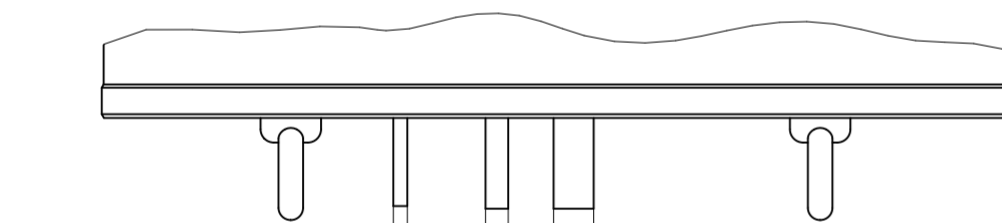
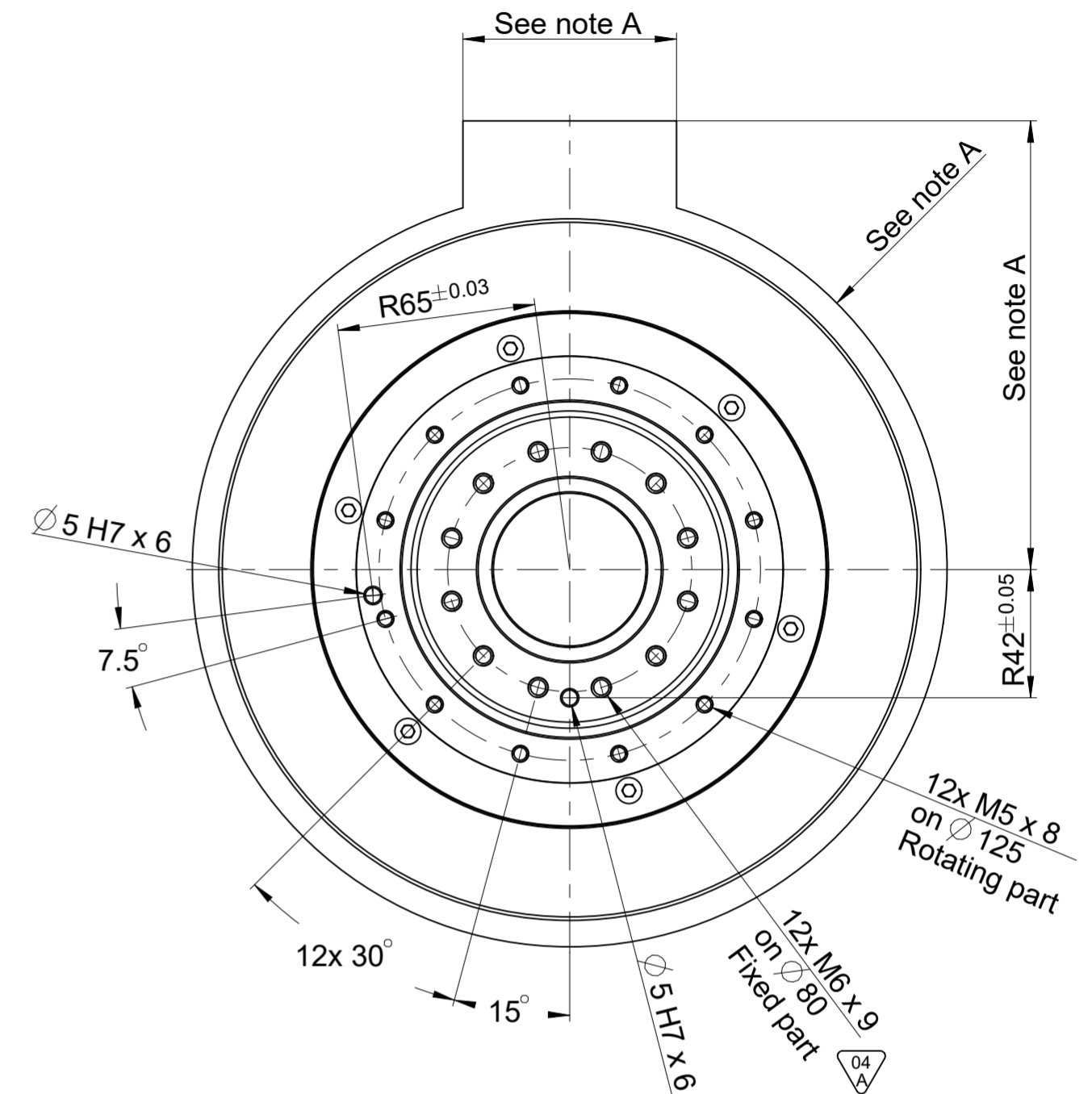
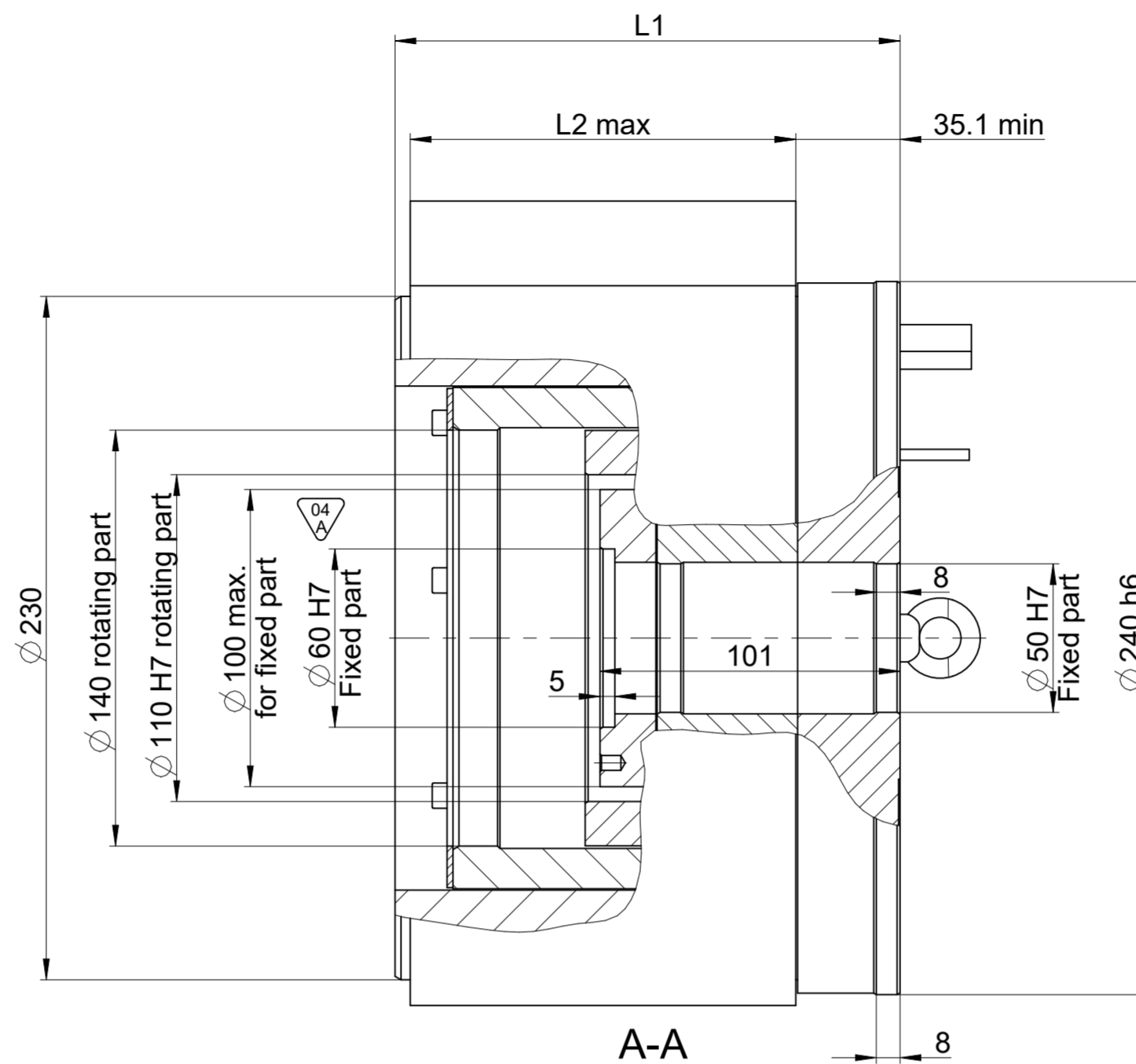
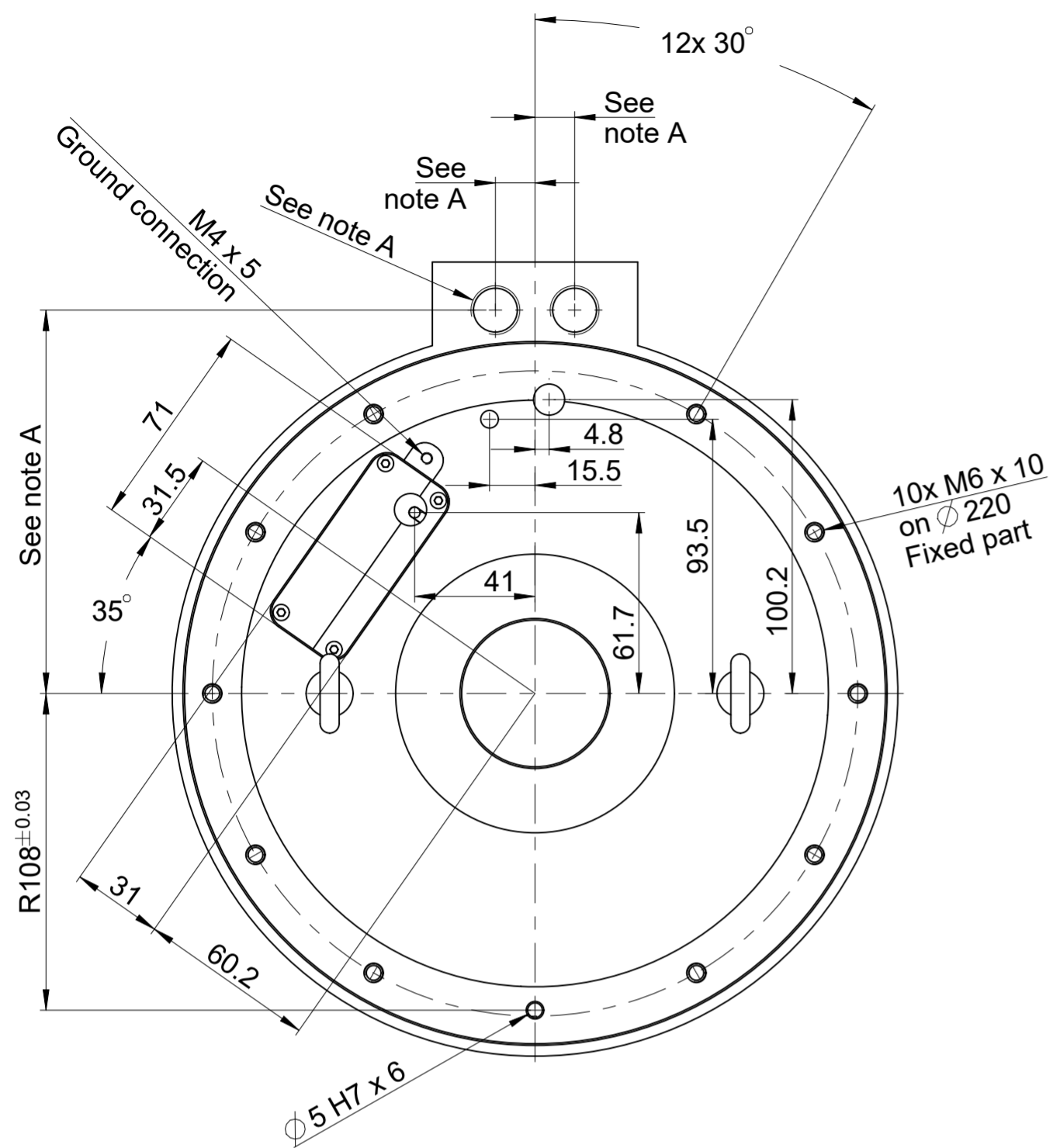


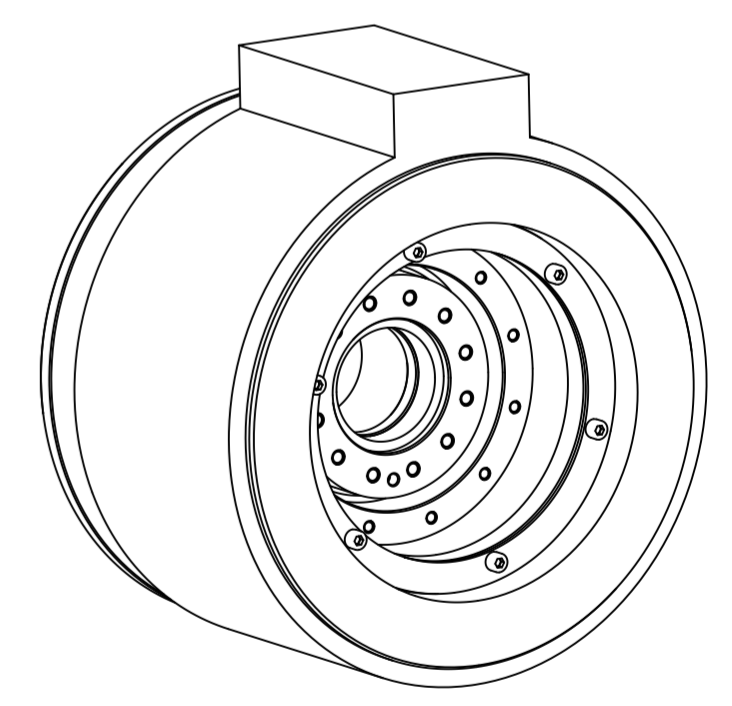
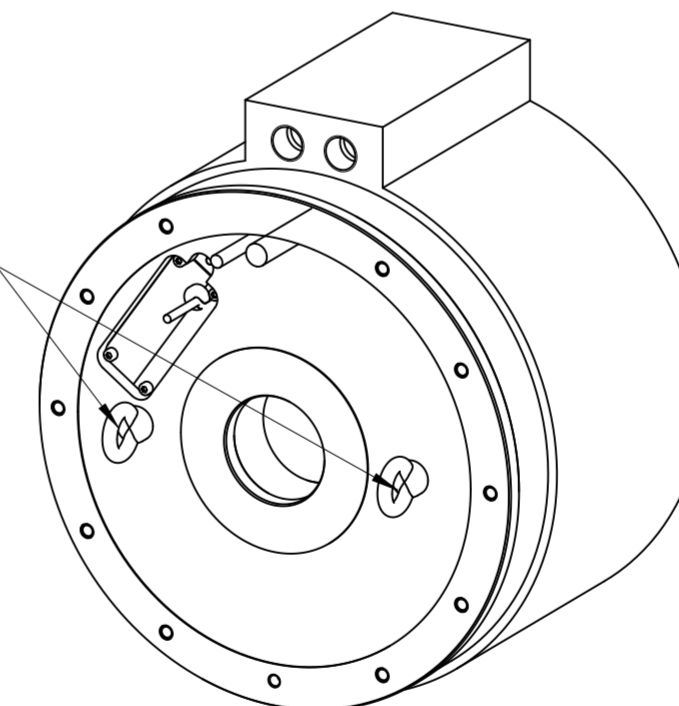
Axis	L1	L2
RTMB+210-070	140	99.8
RTMB+210-100	170	129.8



Encoder cable, length 5 m
 Bending radius min., fixed configuration : 8mm
 D-sub connector, 3-row, with locking screws, male, 15-pin.
 Output signal: 1Vpp

Pin	Power supply		Incrementals signals					Other							
	4	5	14	7	13	6	15	8	1	2	3	9	10	11	12
1Vpp	Up	0V	A+	A-	B+	B-	R+	R-	/	/	/	/	/	/	/
Function	Encoder supply +5VDC	Encoder supply 0V	Sine + signal	Sine - signal	Cosine + signal	Cosine - signal	Index + signal	Index - signal							

2x lifting eye bolts DIN 580 - M6
 Included in delivery.



Note A: Dimensions and tolerances are defined in the interface drawing of the TMB+0210-### motor.

Note B: Connection and bending radius are defined in the interface drawing of the TMB+0210-### motor with PT 1000 sensor.

Text: Missing tolerance added on ø 60 + ø 81 corrected at ø 80		ID number: 1311448-##
Original drawing Scale: 1:2 Format: A2		Change No. C119116-15
Released: 18-Jan-22		Released: 18-Jan-22
Rotary axis Rtmb+210 with cooling jacket Axe rotatif Rtmb+210 with cooling jacket		Tolerances as per ISO 8015 : 2011 Tolérances selon ISO 8015 : 2011
Dimensions in mm		Dimensions without tolerance Dimensions sans tolérances ± 0,5
The reproduction, distribution and utilization of this document as well as the communication of its contents to others without express authorization is prohibited. Offenders will be held liable for the payment of damages. All rights reserved in the event of the grant of a patent, utility model or design. (ISO 16016)		Version Revision Sheet Page
ETEL ETEL S.A. 2112 Môtiers SWITZERLAND		1315396-04 - A-01 1 of 1
Document number		