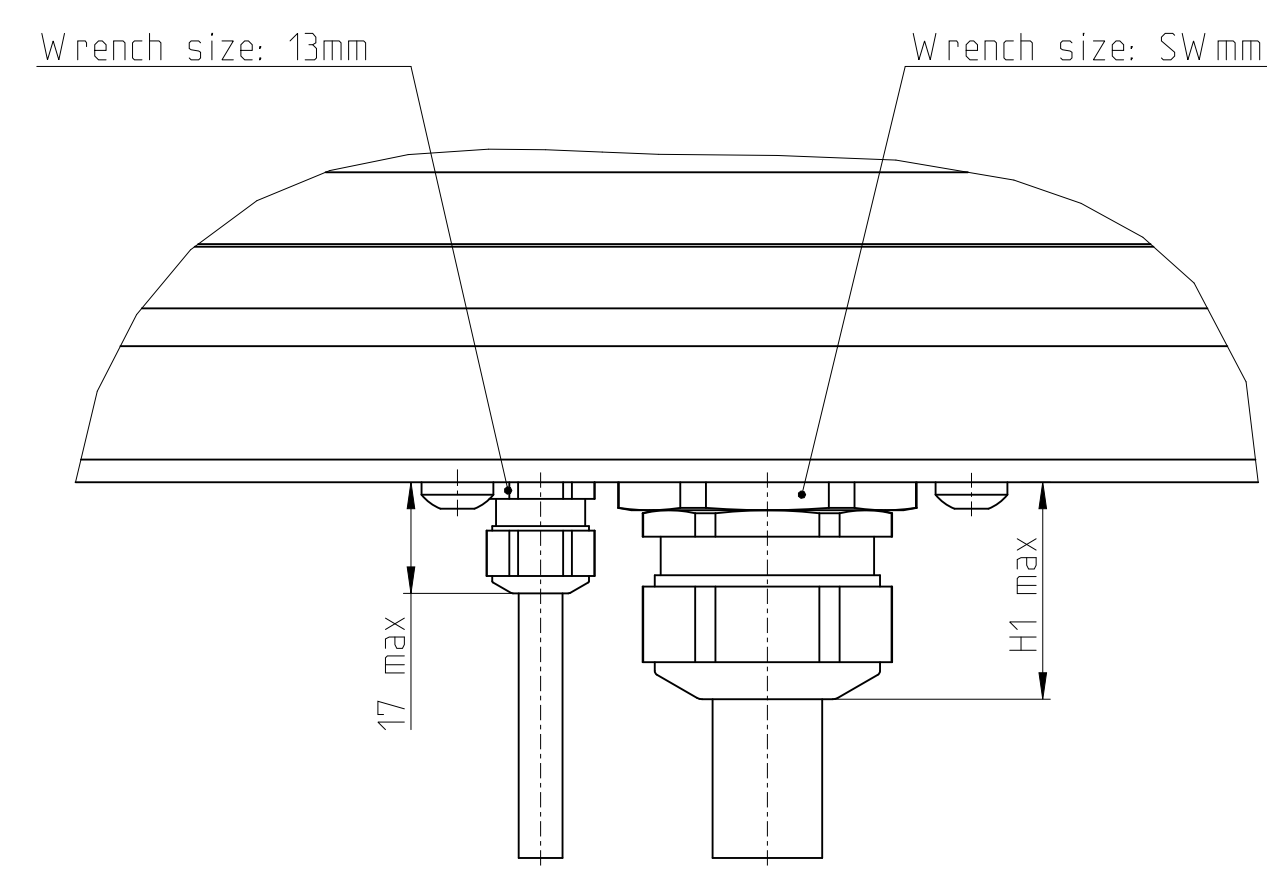
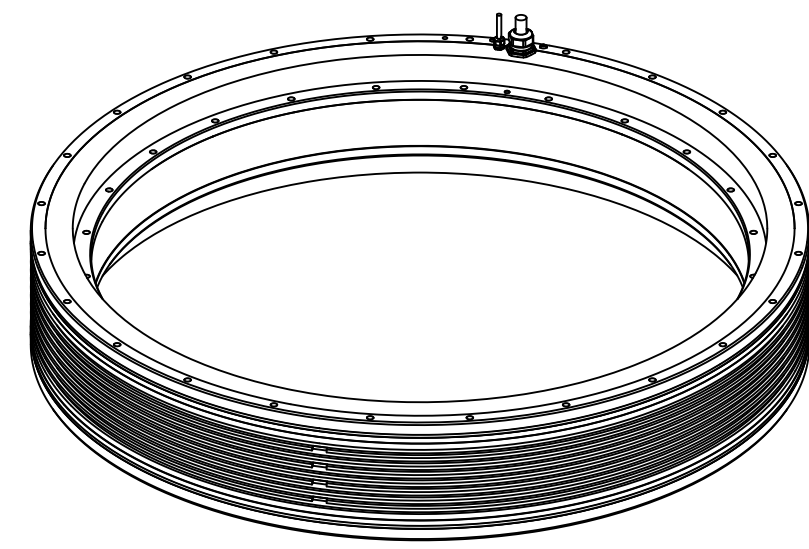
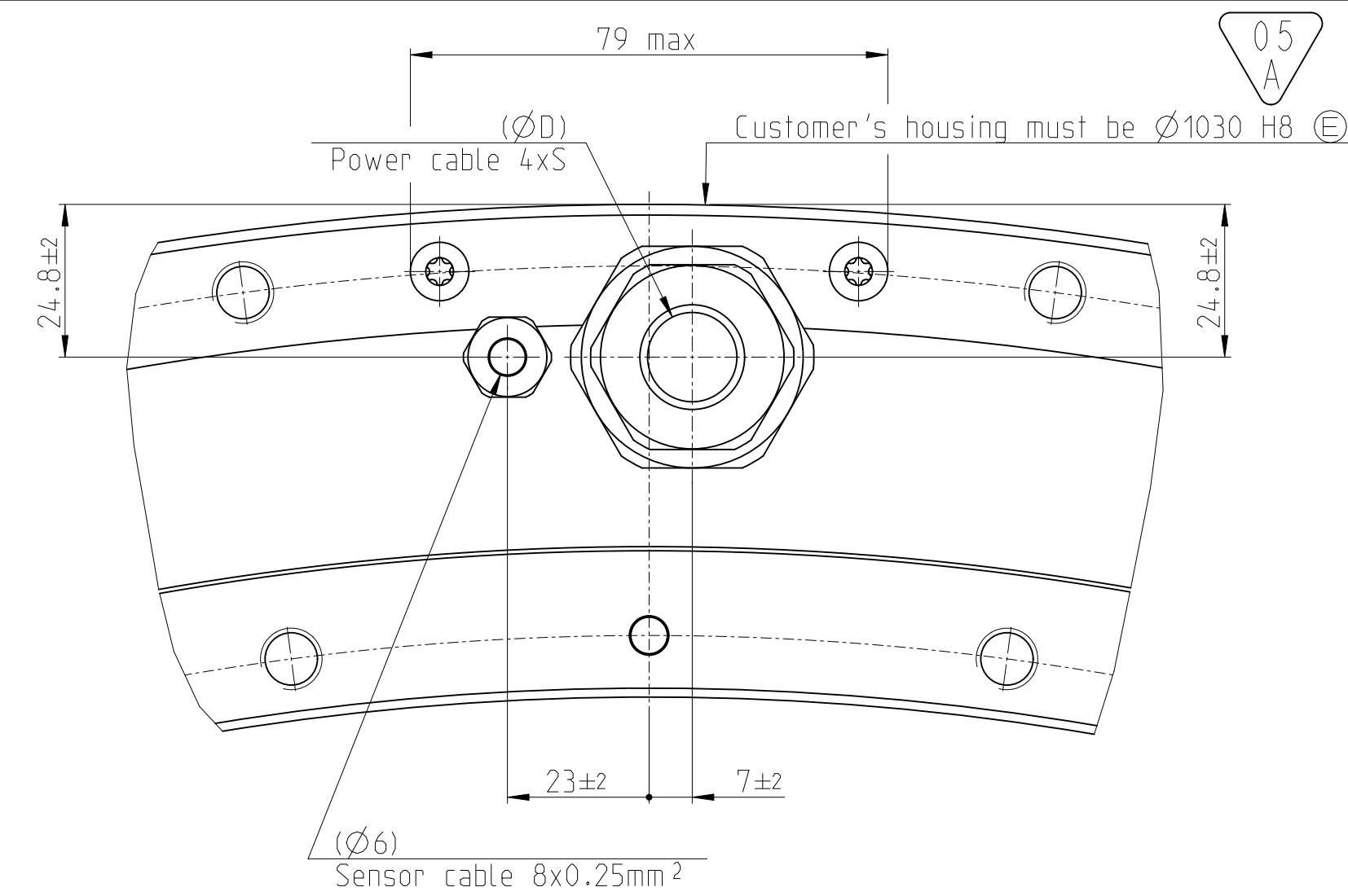


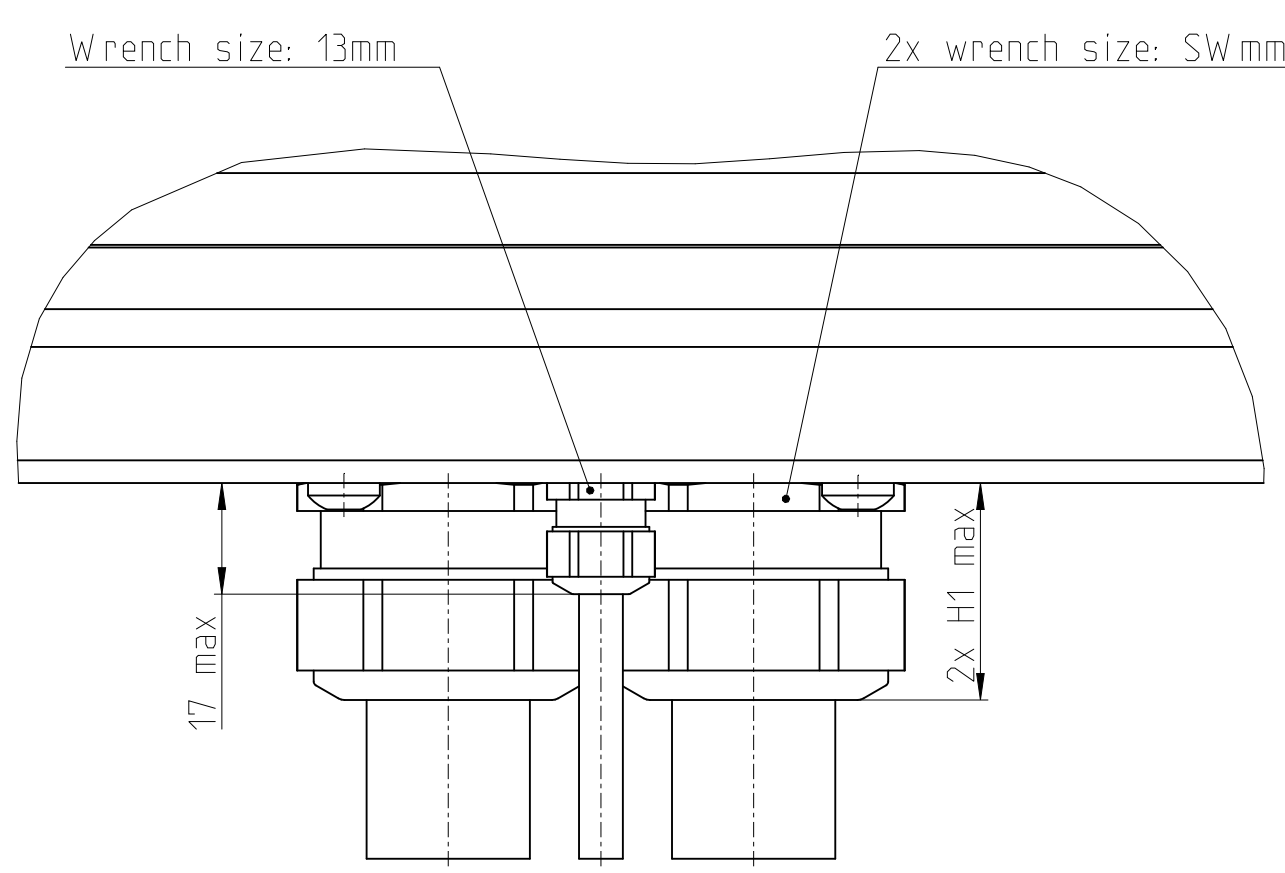
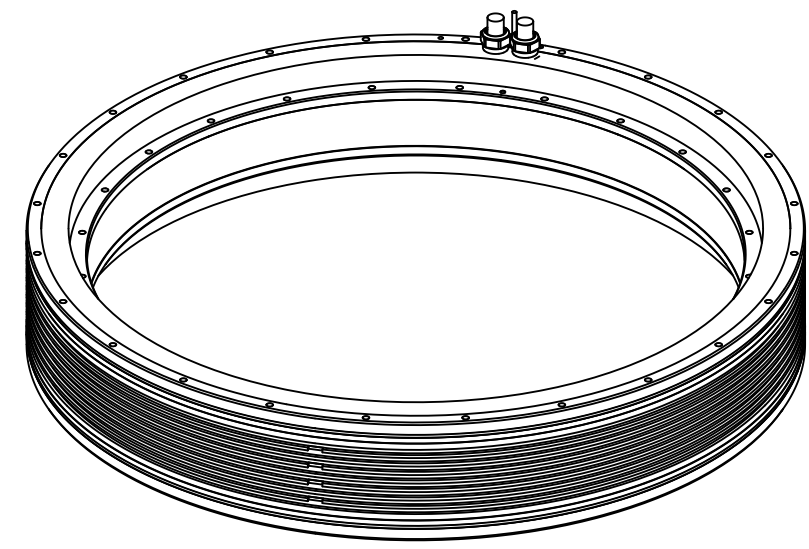
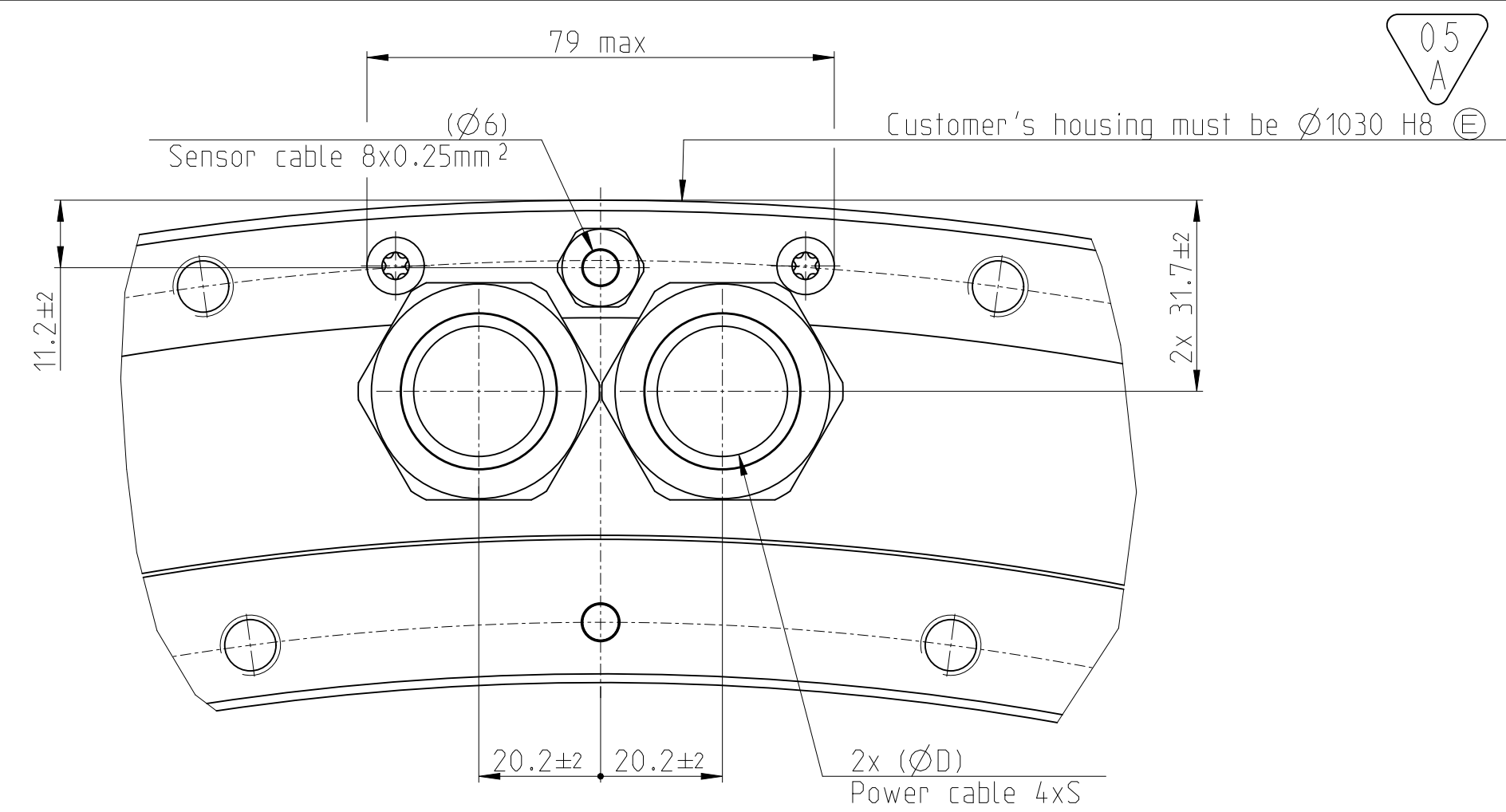
Designation	L1	L2	L3	N1	N2	N3	β
TMB+0990-050	130	85	51				
TMB+0990-070	150	105	71	24	12	24	15°
TMB+0990-100	180	135	101				
TMB+0990-150	230	185	151	48	23	47	7.5°
TMB+0990-200	280	235	202				

Text:		ID number:
Original drawing	TMB+0990-###-####-O#-AAO	03568630
Scale: 1 format	TMB+0990-###-####-O#-AAO	14.12.2011
Dimensions in mm: 1:2 A0	Making Dimensions / Cores d'encastrement	Tolerances as per ISO 8015:2011 Tolerances series ISO 8015:2011
The reproduction, distribution and utilization of this document as well as the communication of its contents to others without express authorization is prohibited. Offenders will be held liable for the payment of damages. All rights reserved in the event of the grant of a patent, utility model or design. (ISO 16016)		Dimensions without tolerance: 0.2
ETEL ETEL S.A. 2112 Mölzer SWITZERLAND		Page 01 of 01
		1177596-05-A-01

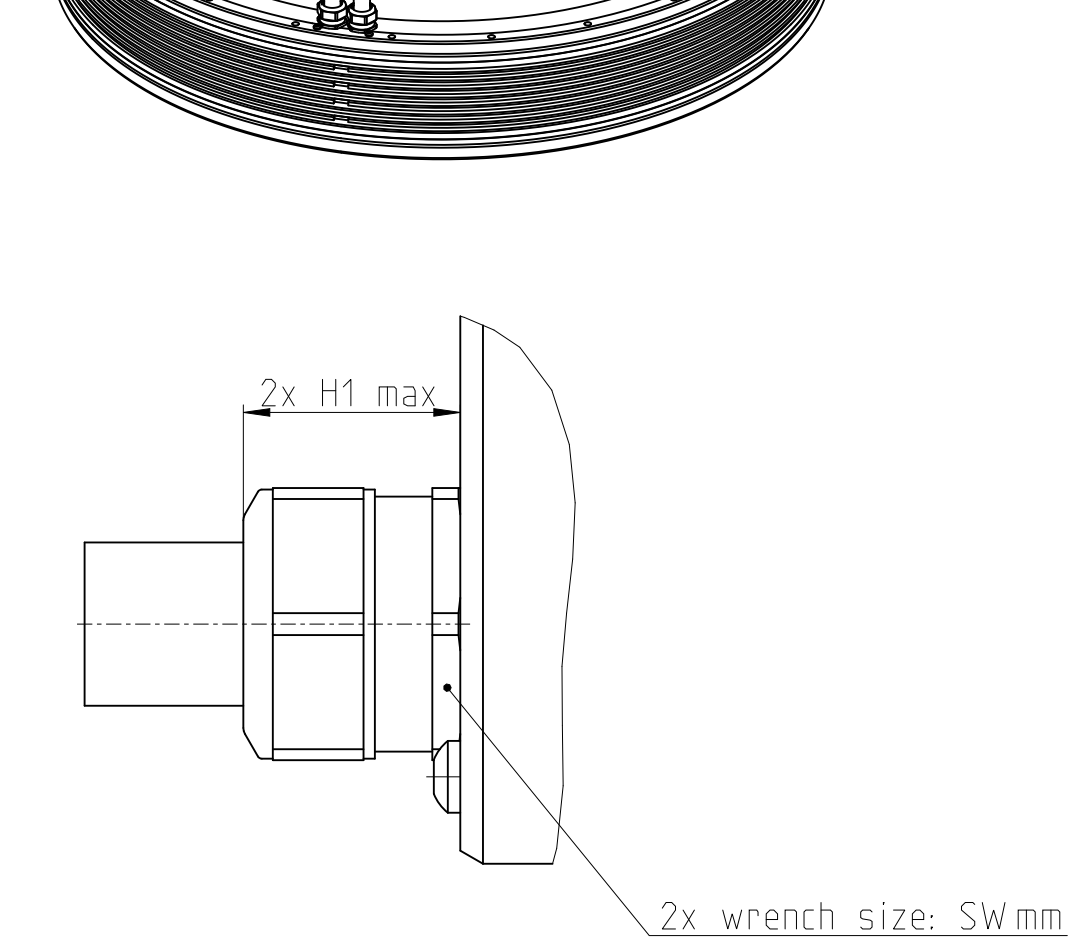
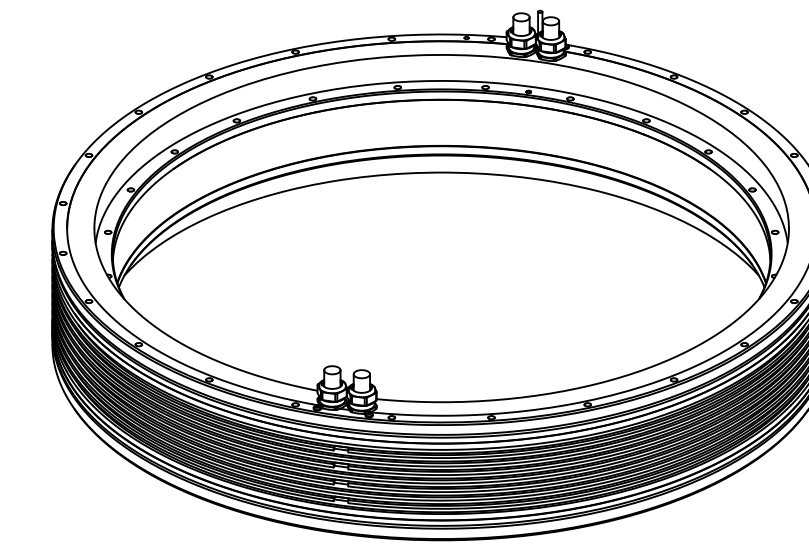
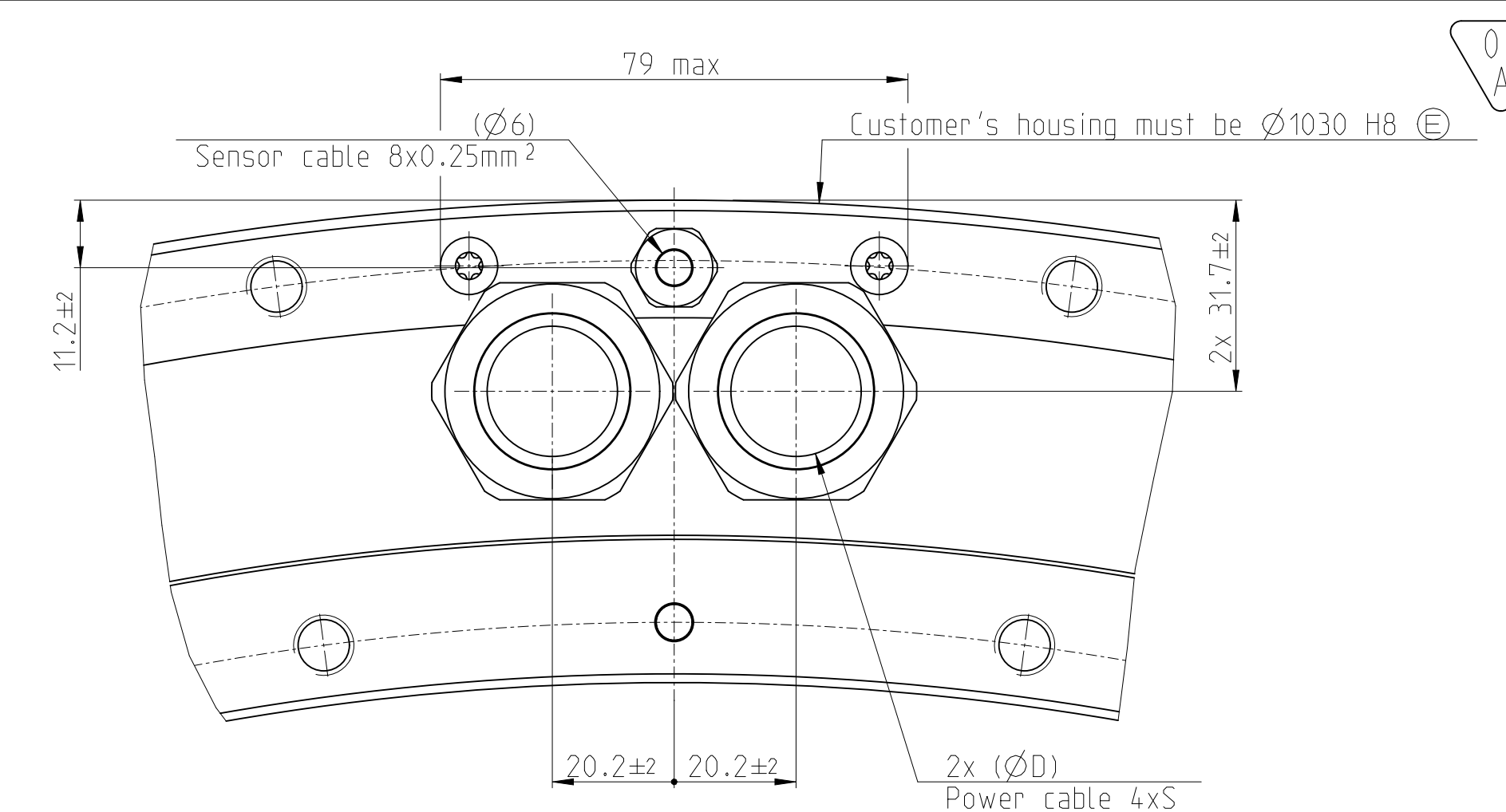
Type 1



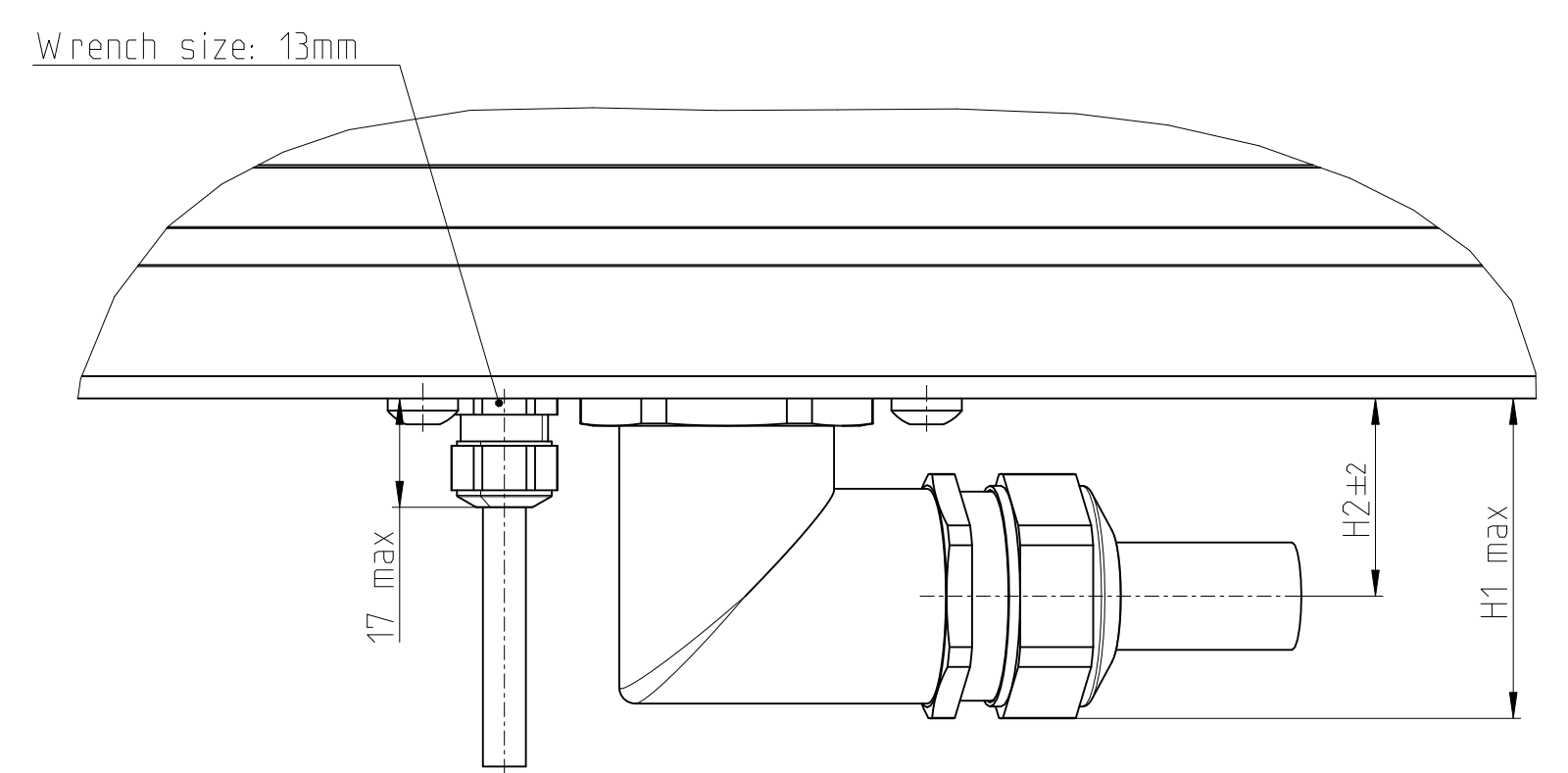
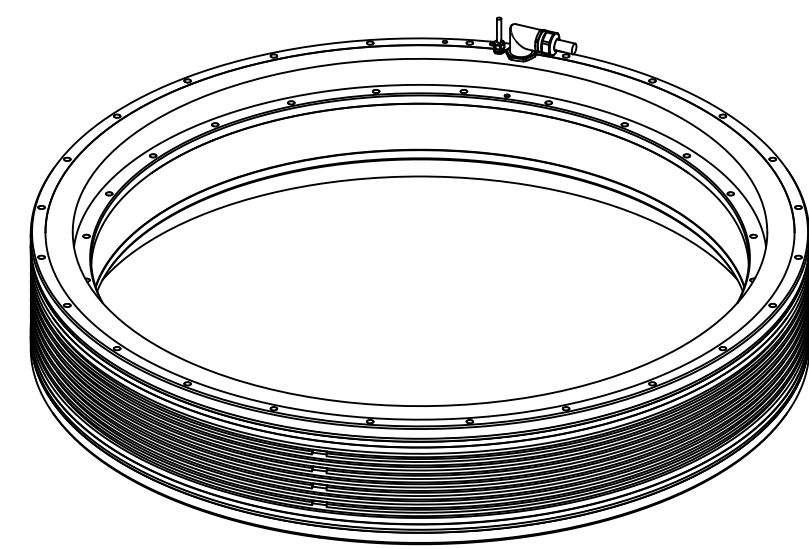
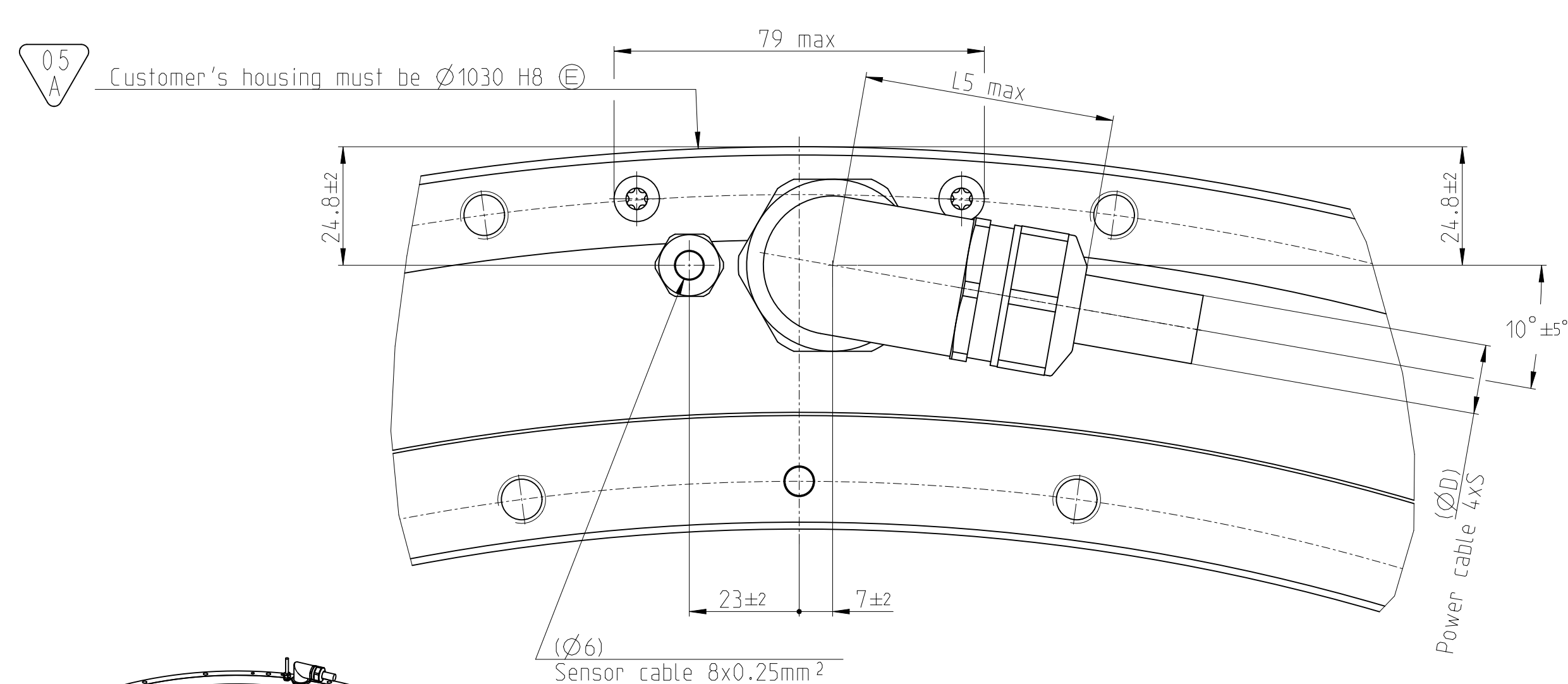
Type 3



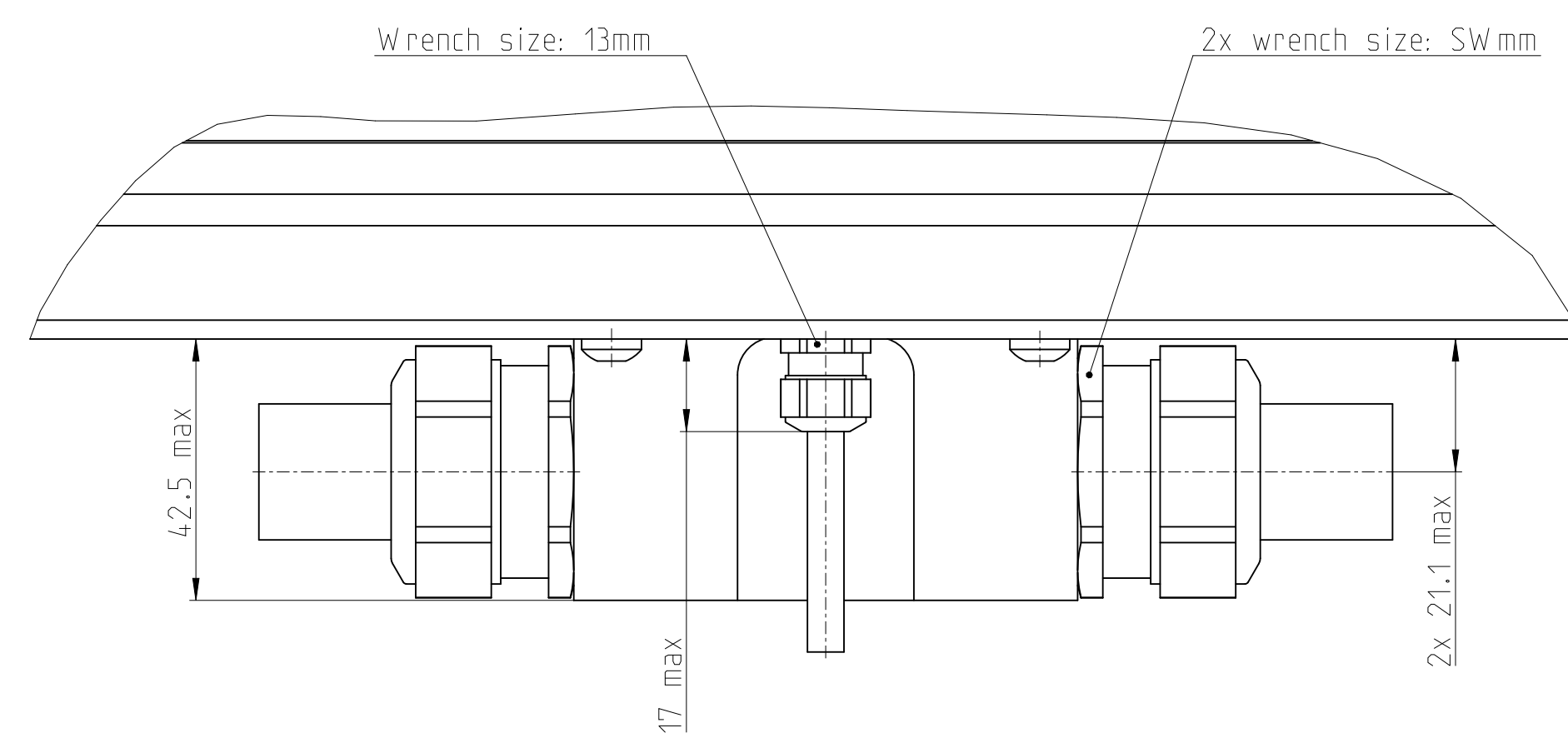
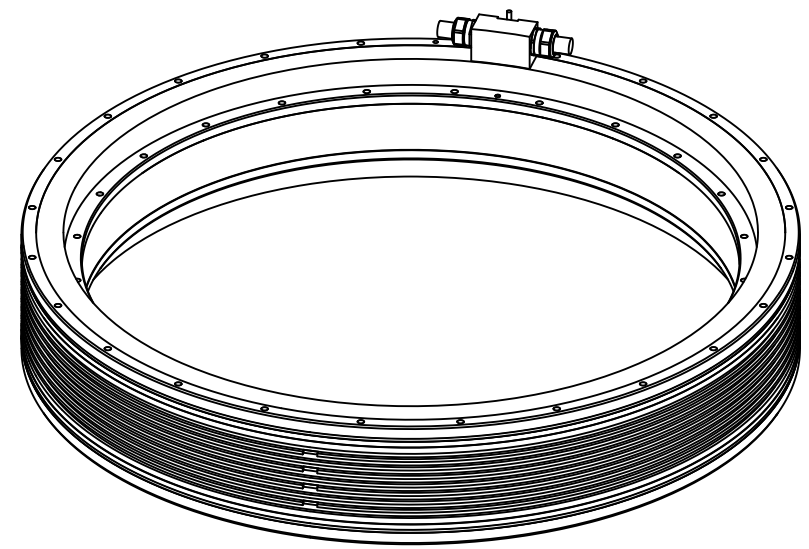
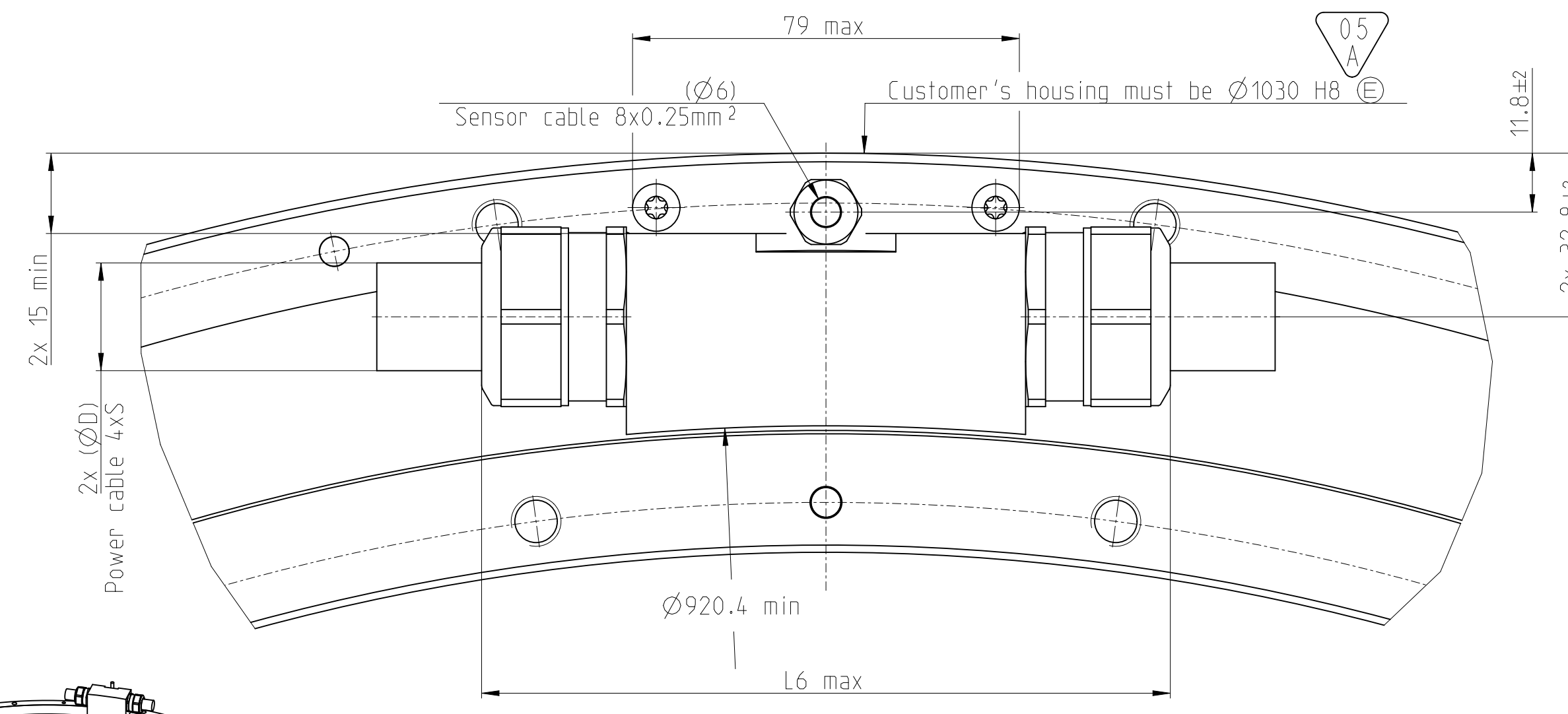
Type 5



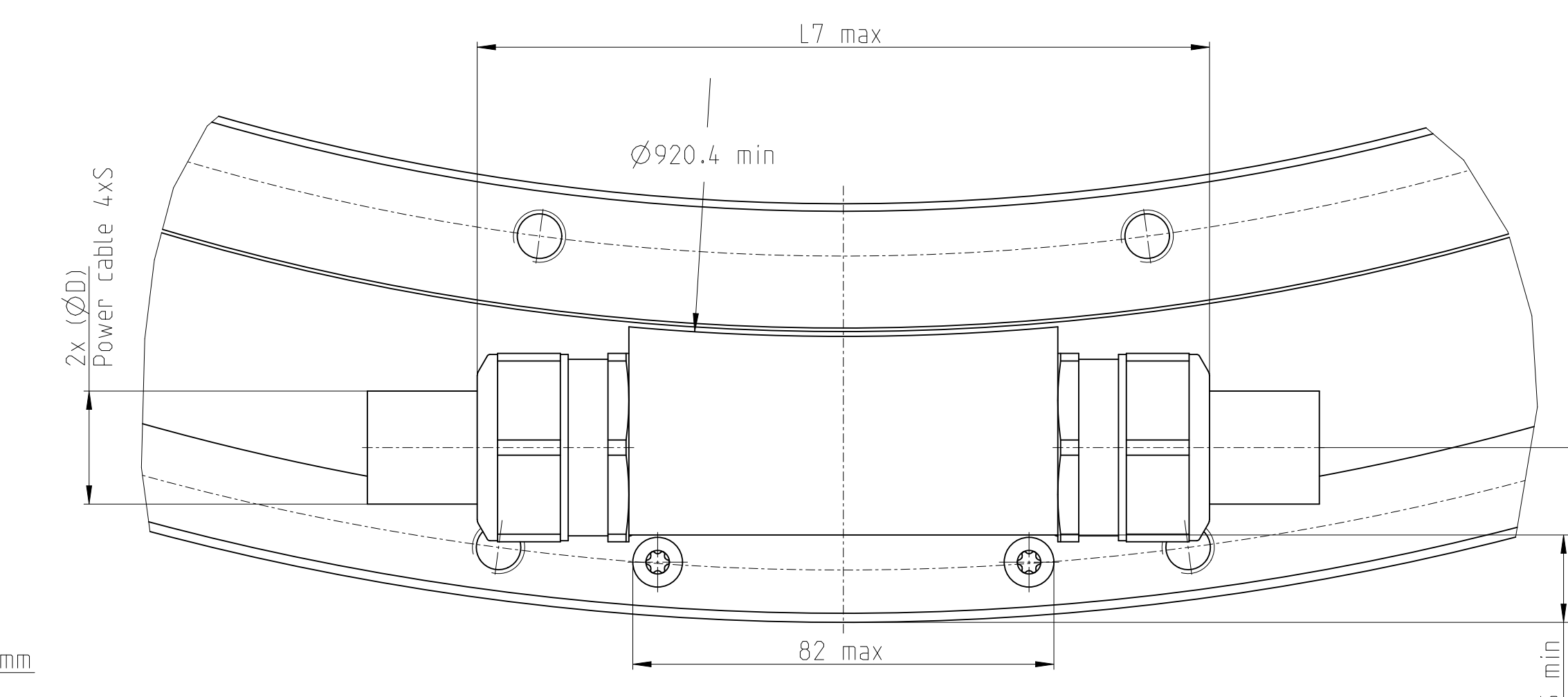
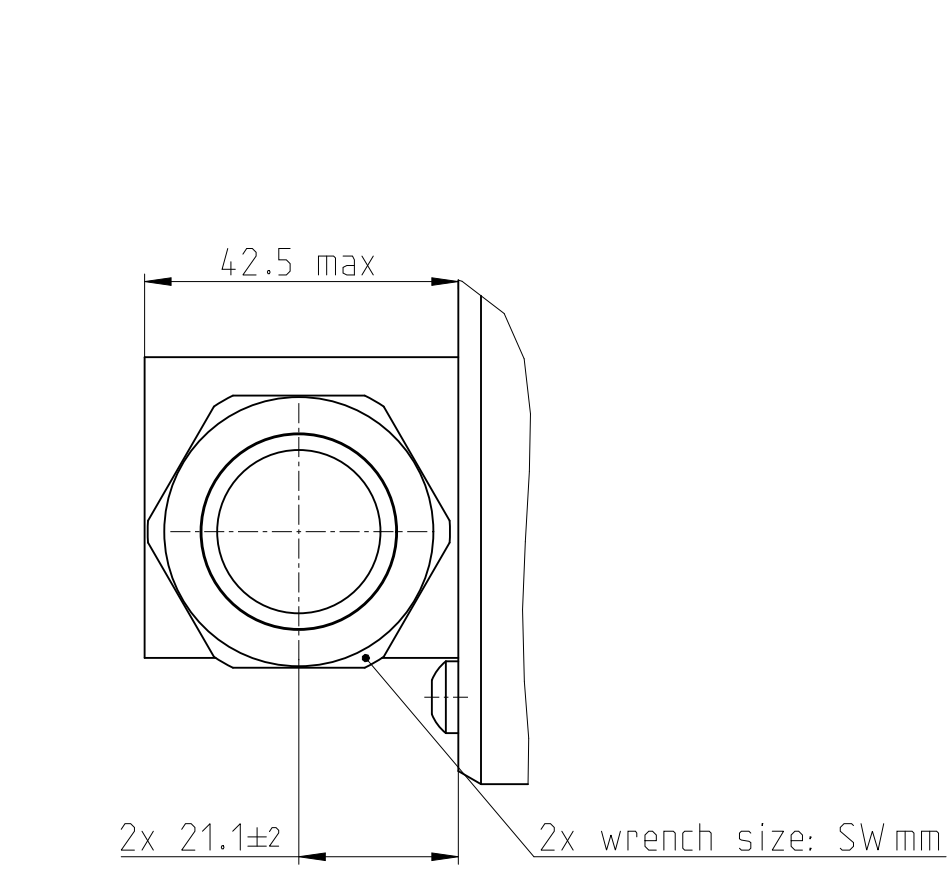
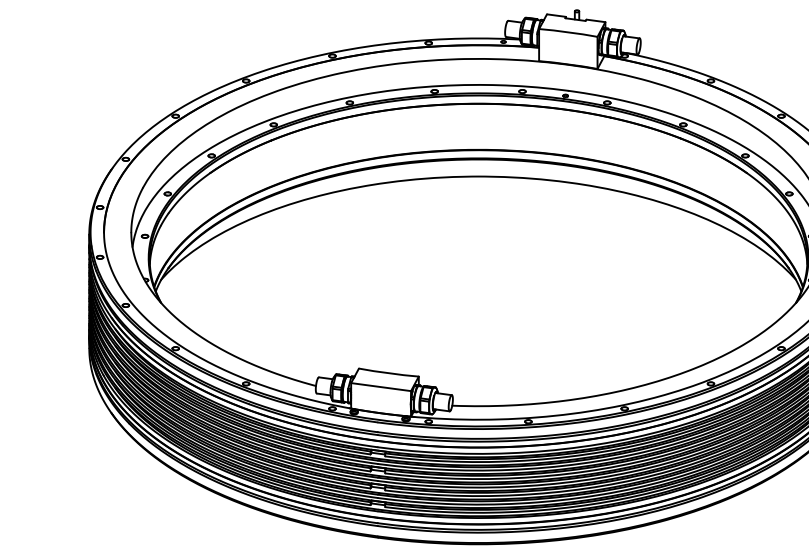
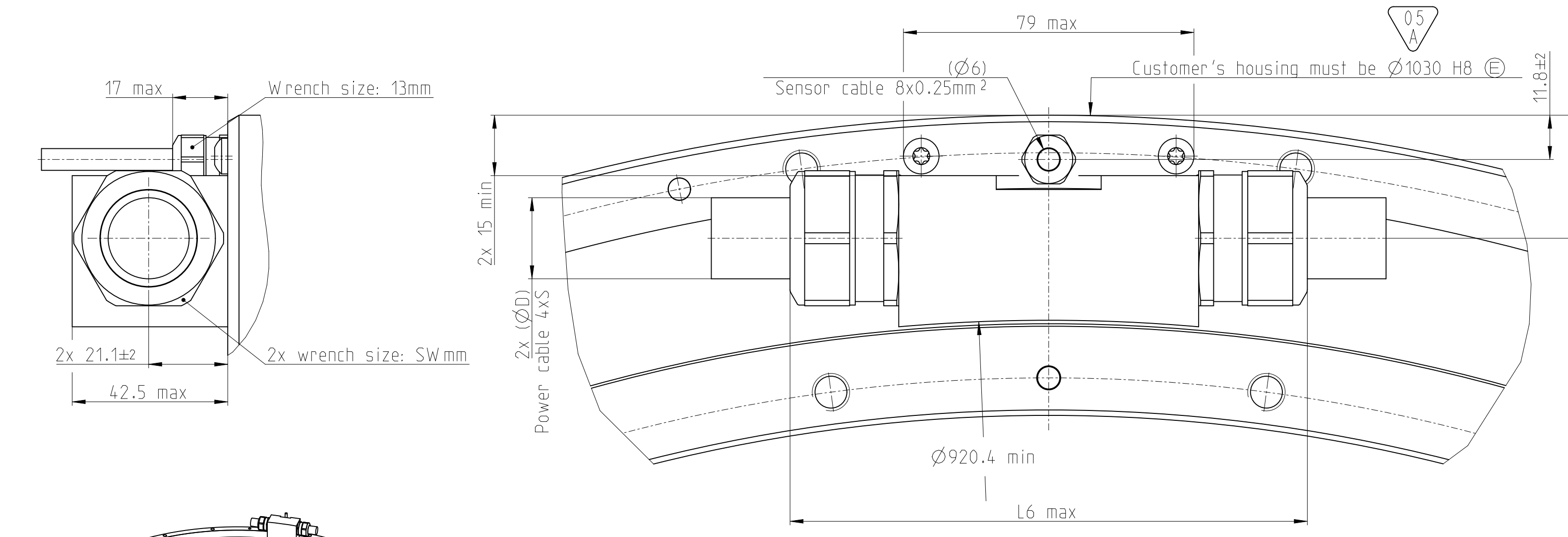
Type 2



Type 4

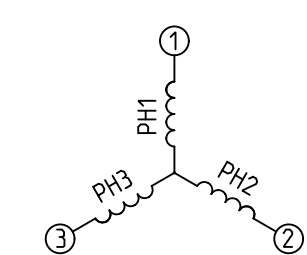


Type 6

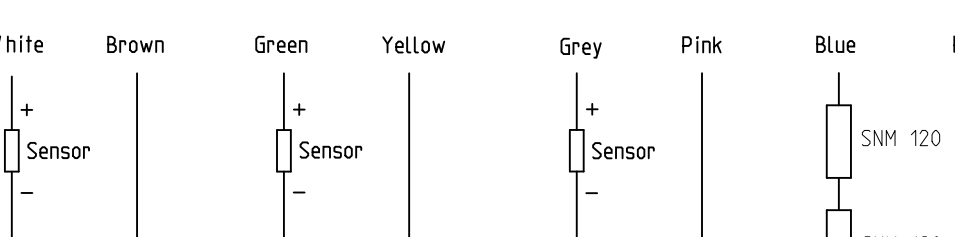


Power cable connection

Phase 1 = wire 1
Phase 2 = wire 2
Phase 3 = wire 3
PE = yellow/green wire



Sensor cable connection: "P" or "T" configuration



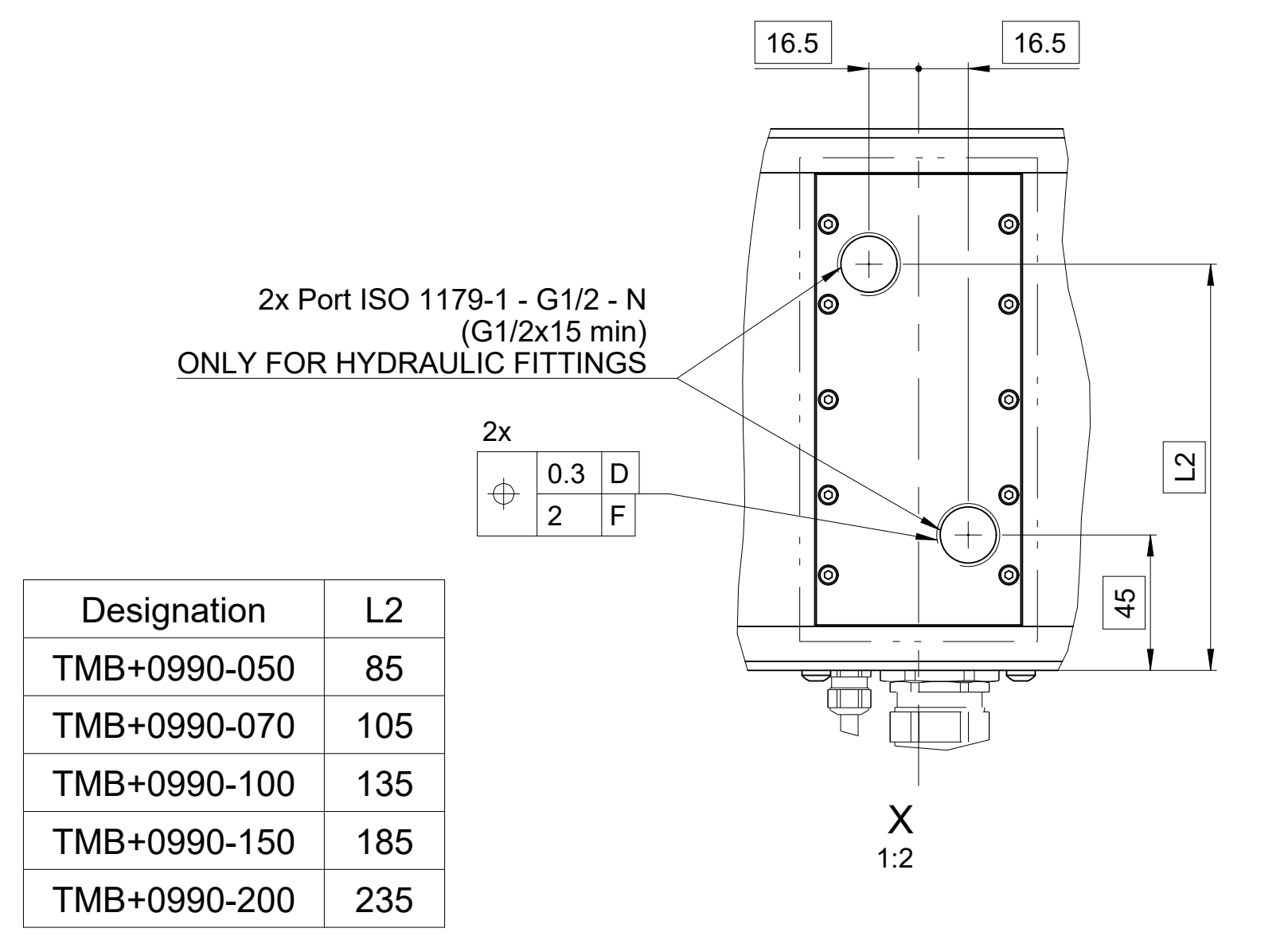
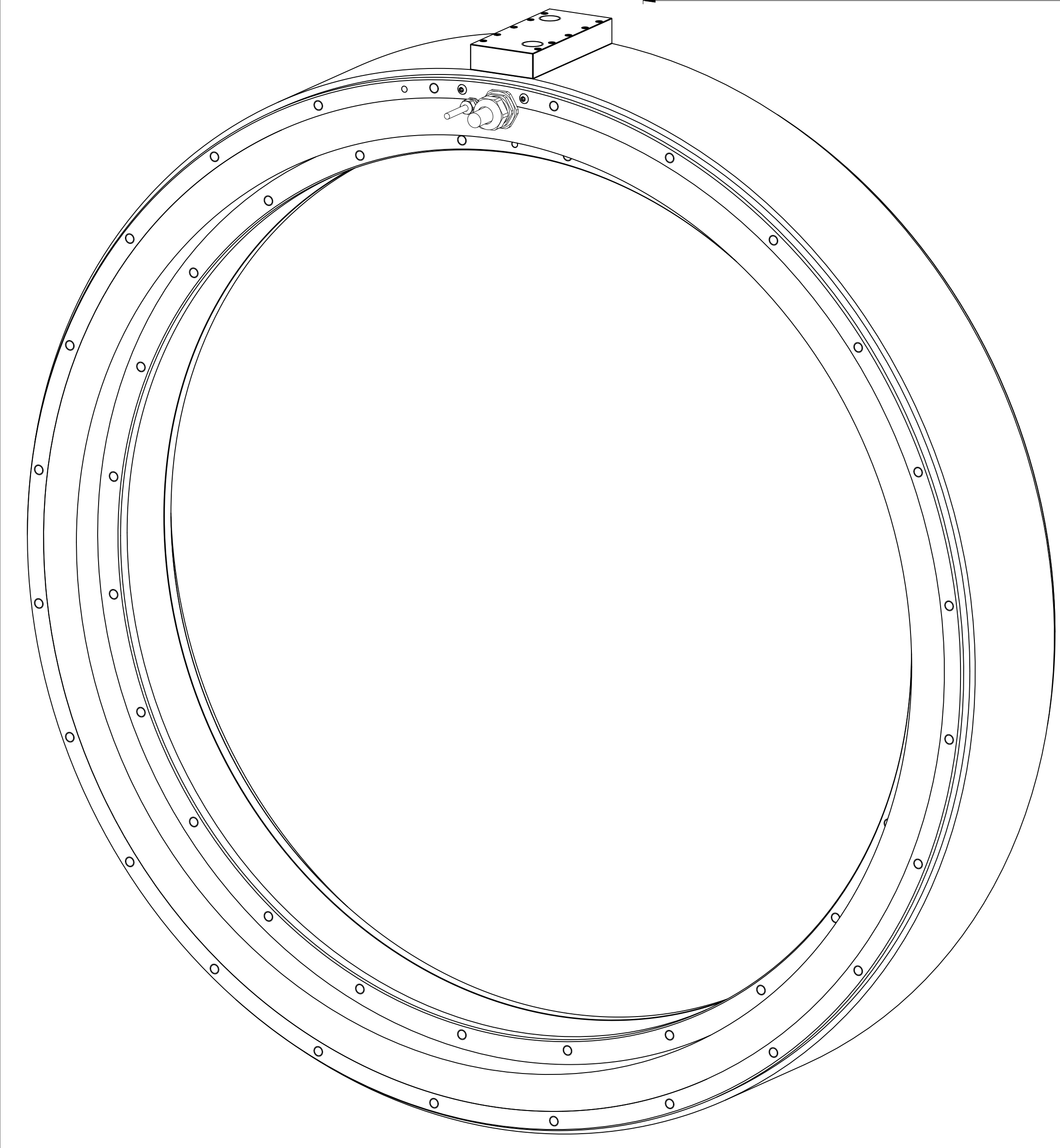
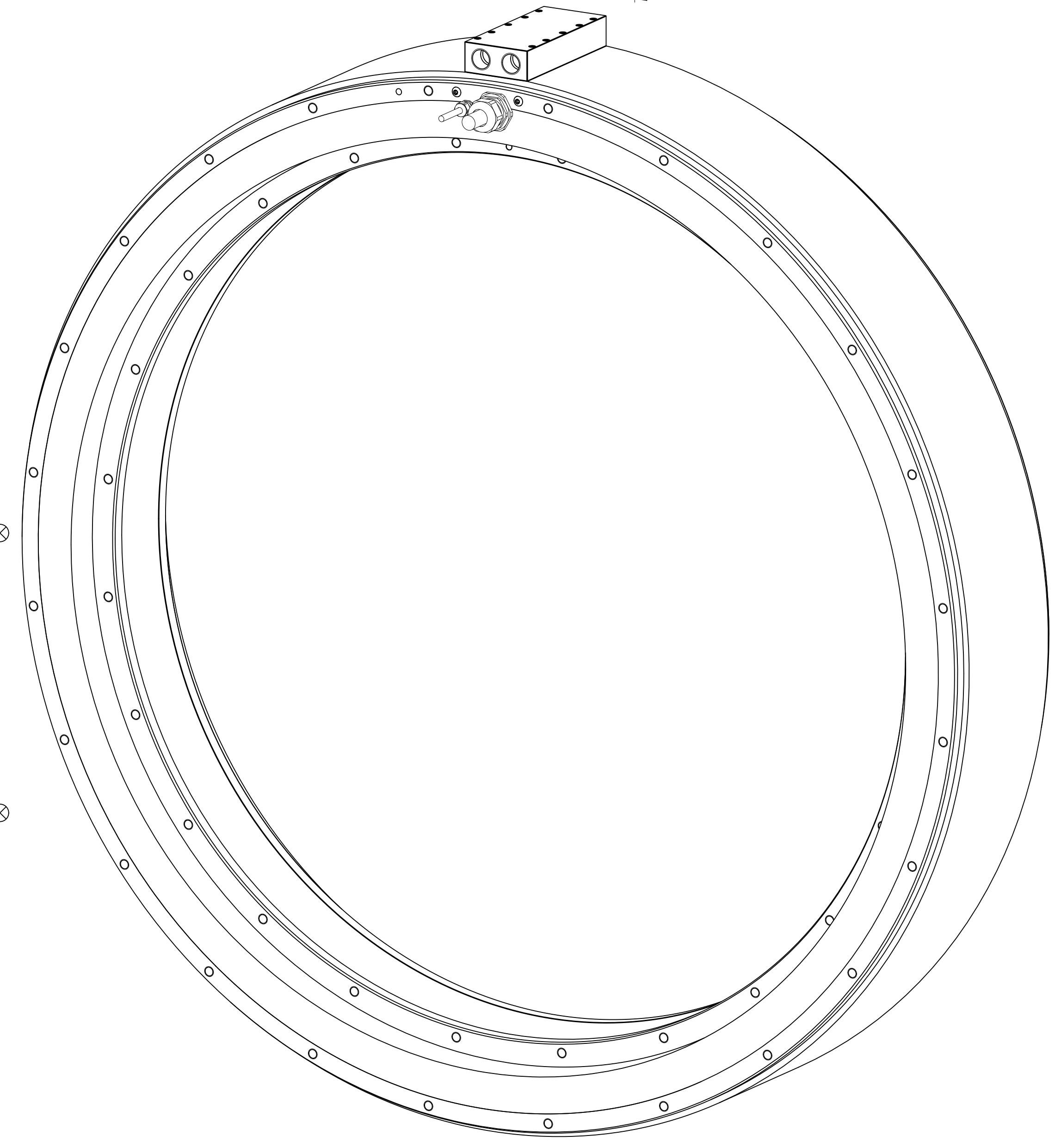
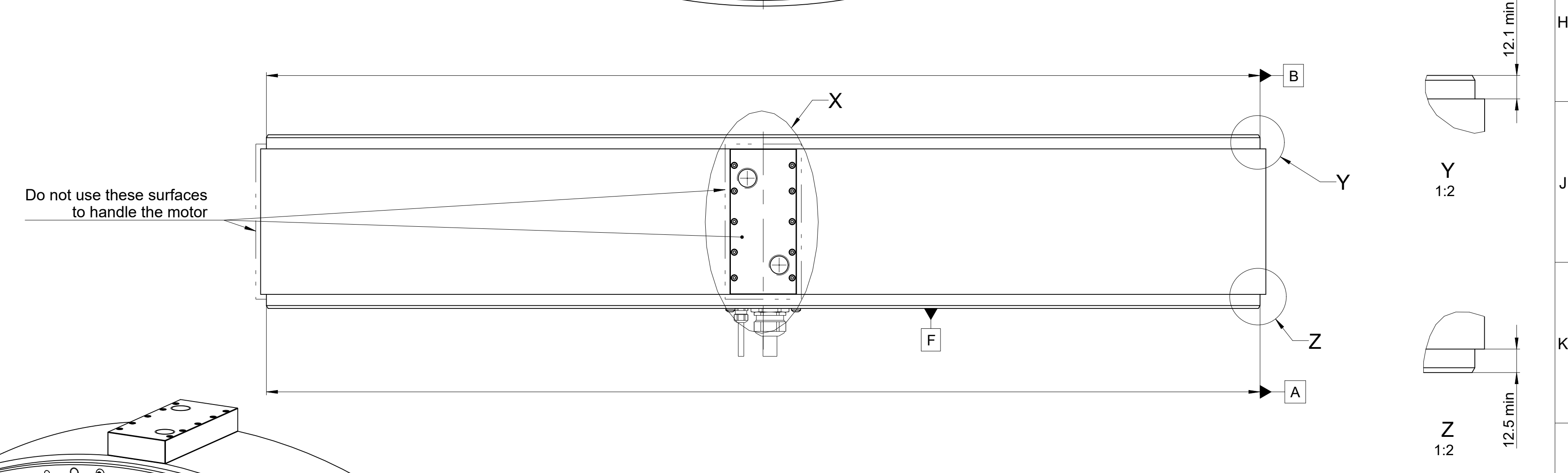
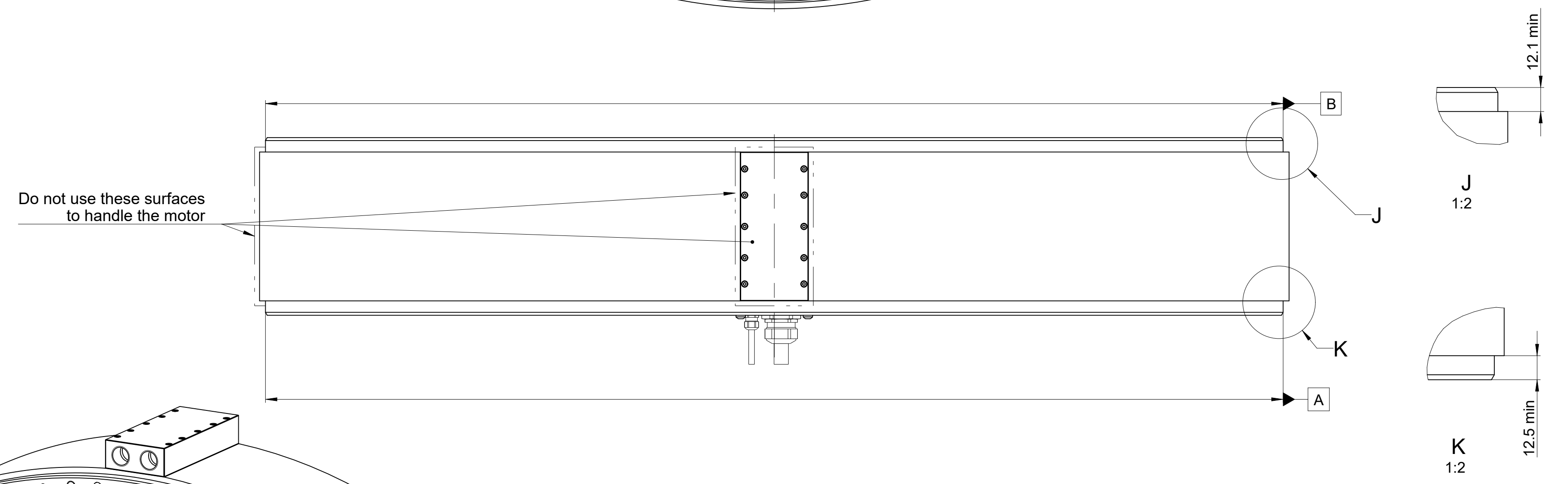
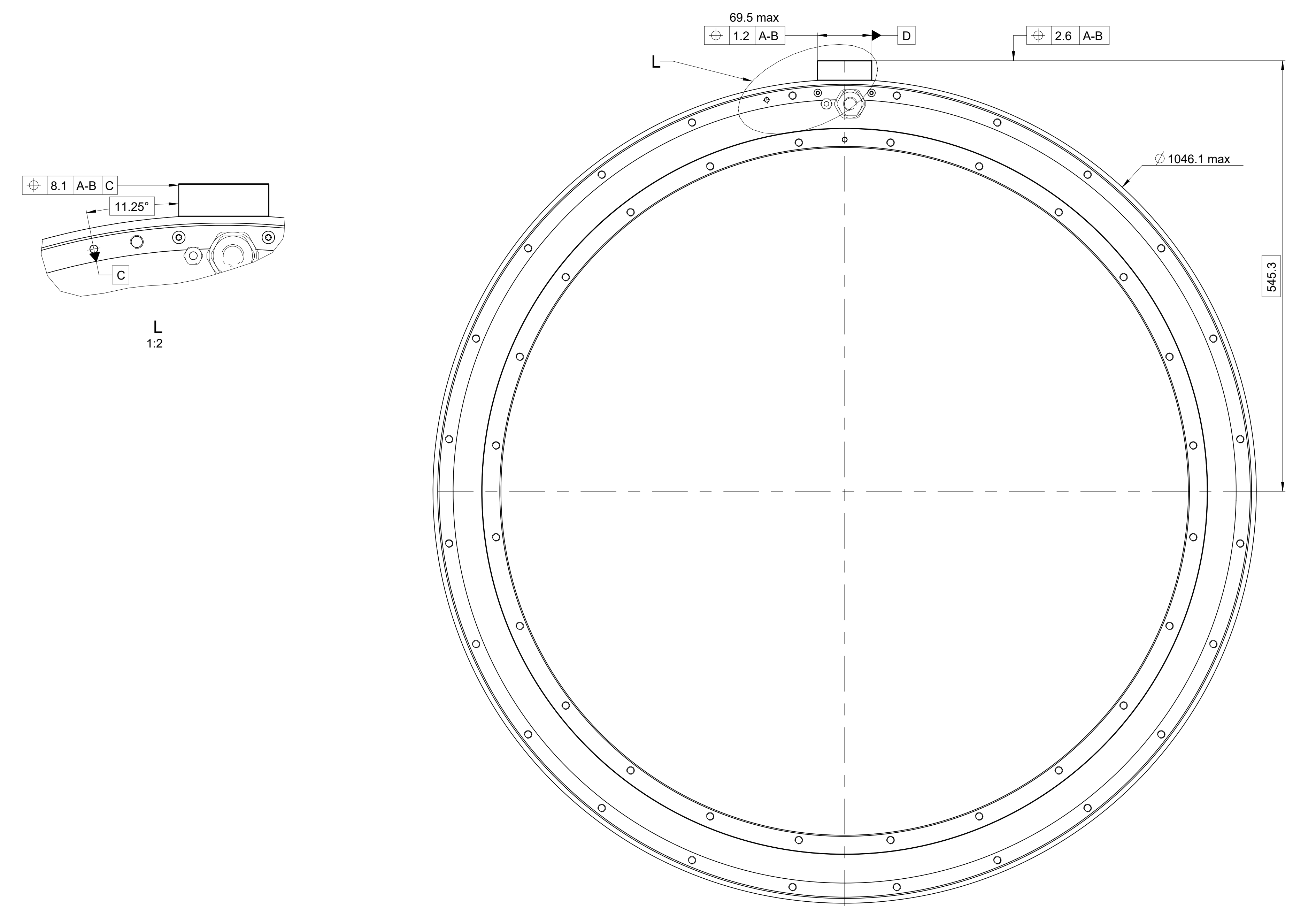
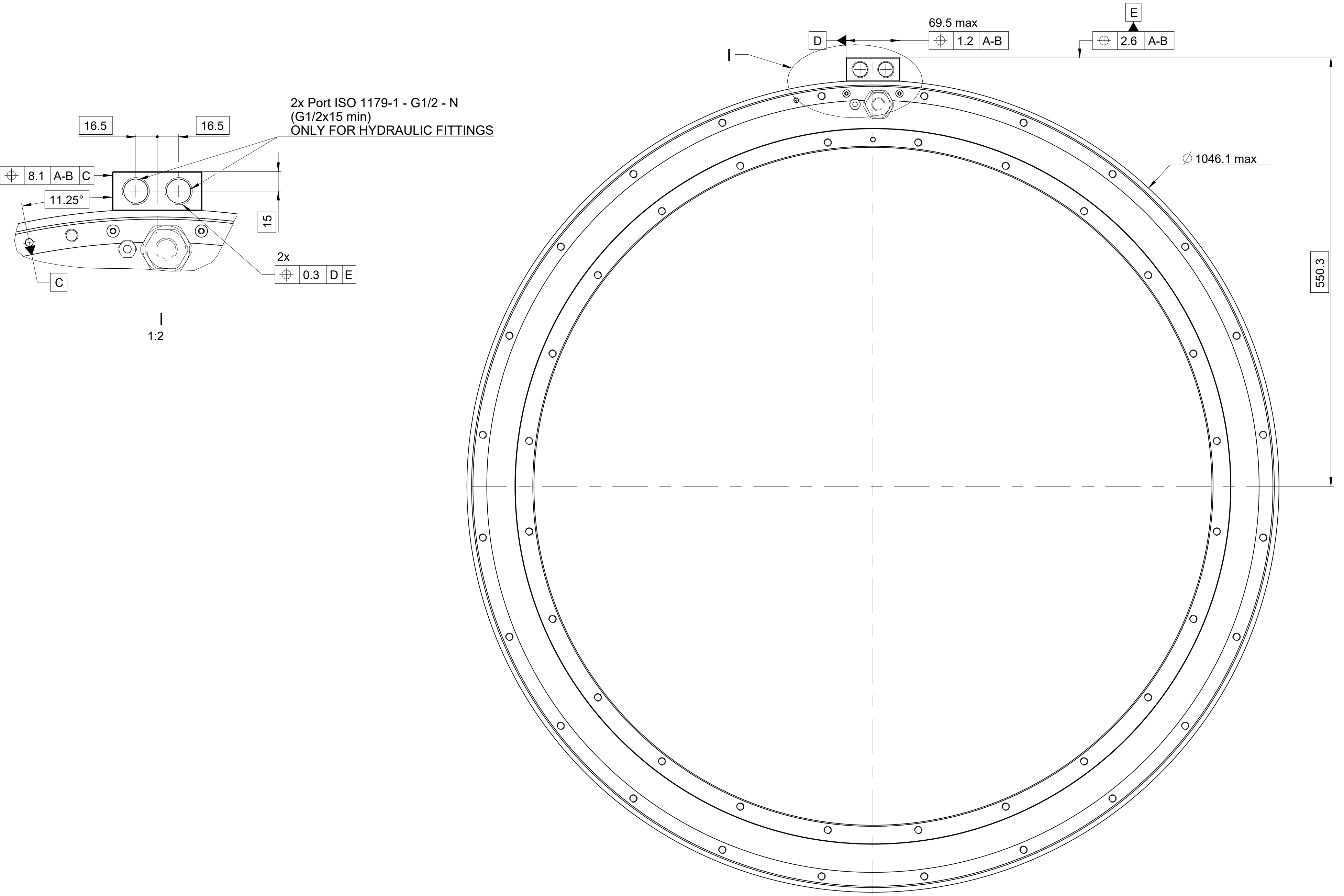
Configuration type	Sensor
"P"	KTY 84
"T"	PT 1000

Motor family	0140	0210	0290
	0175		0360
Connection	0291		0450
			0530
			0760
			0990
			1221
White - Brown	Phase 1	Phase 3	Phase 2
Green - Yellow	Phase 3	Phase 2	Phase 1
Grey - Pink	Phase 2	Phase 1	Phase 3

Designation	Output type	Section	H1	H2	L5	L6	L7	SW	D
[-]	[-]	[mm²]	[mm]	[mm]	[mm]	[mm]	[mm]	[mm]	[mm]
TMB+0990-###-WB#S#	Type 1	4	32.5	-	-	-	-	36	11.9
TMB+0990-###-WB#E#	Type 2		38.6	22.8	53.5	-			
TMB+0990-###-UD#S#	Type 1		35.5	-	-	-			
TMB+0990-###-UD#E#	Type 2	6	45.9	26.8	59	-	-	36	14.5
TMB+0990-###-UP#S#	Type 5		35.5	-	-	150.5	152.5		
TMB+0990-###-UP#E#	Type 6		-	-	-	-	-		
TMB+0990-###-WD#S#	Type 1	16	33	-	-	-	-	36	21.6
TMB+0990-###-WD#E#	Type 2		48.3	25.7	65.5	-	-		
TMB+0990-###-WH#S#	Type 3		33	-	-	-	-		
TMB+0990-###-WP#S#	Type 5	16	33	-	-	146	148	36	21.6
TMB+0990-###-WP#E#	Type 6		-	-	-	-	-		

TMB+0990-###-#####-A#-AA0
 (Annex to interface drawing 1177596: please check for motor and cable output information)

TMB+0990-###-#####-R#-AA0
 (Annex to interface drawing 1177596: please check for motor and cable output information)



Designation	L2
TMB+0990-050	85
TMB+0990-070	105
TMB+0990-100	135
TMB+0990-150	185
TMB+0990-200	235