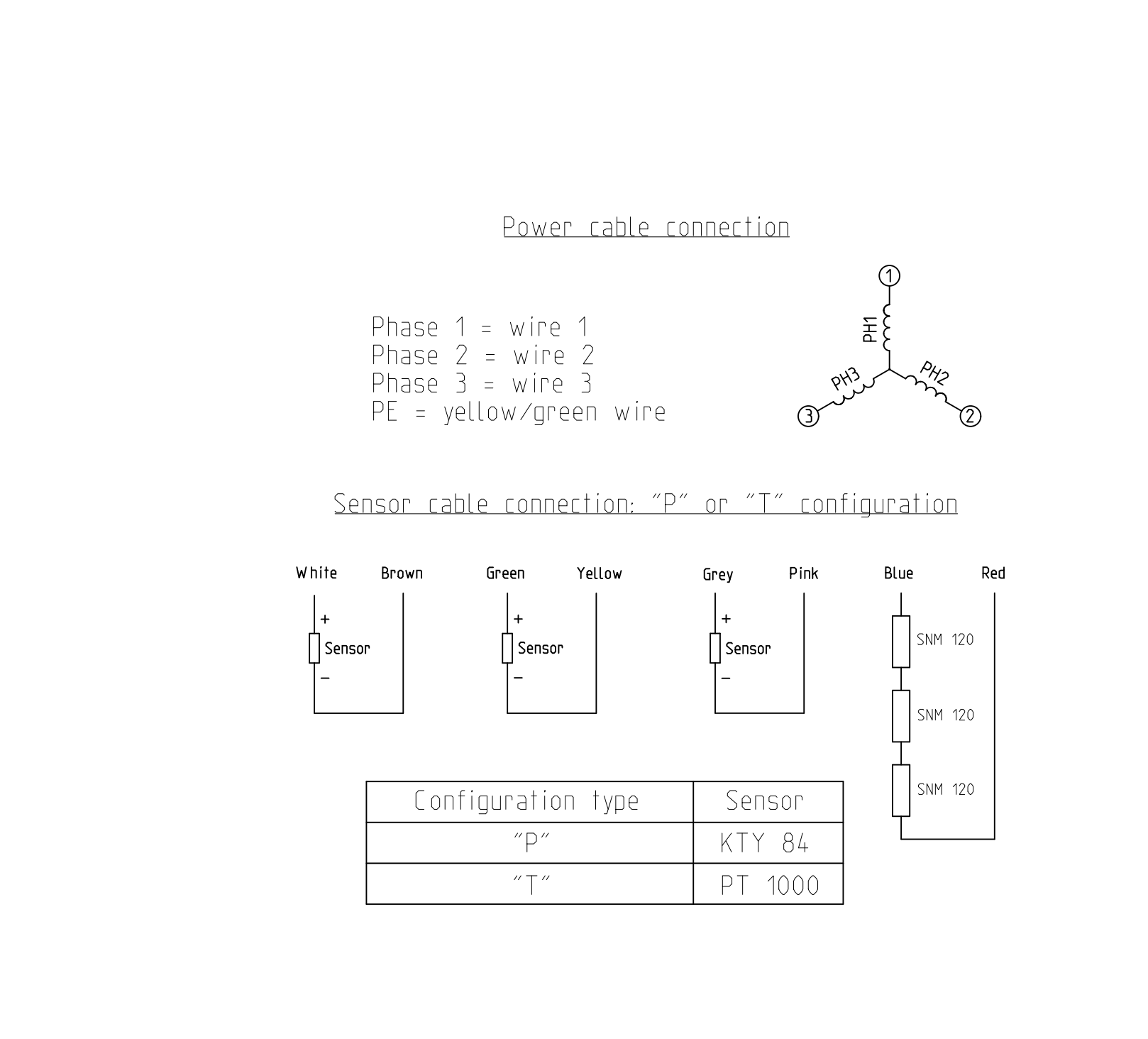
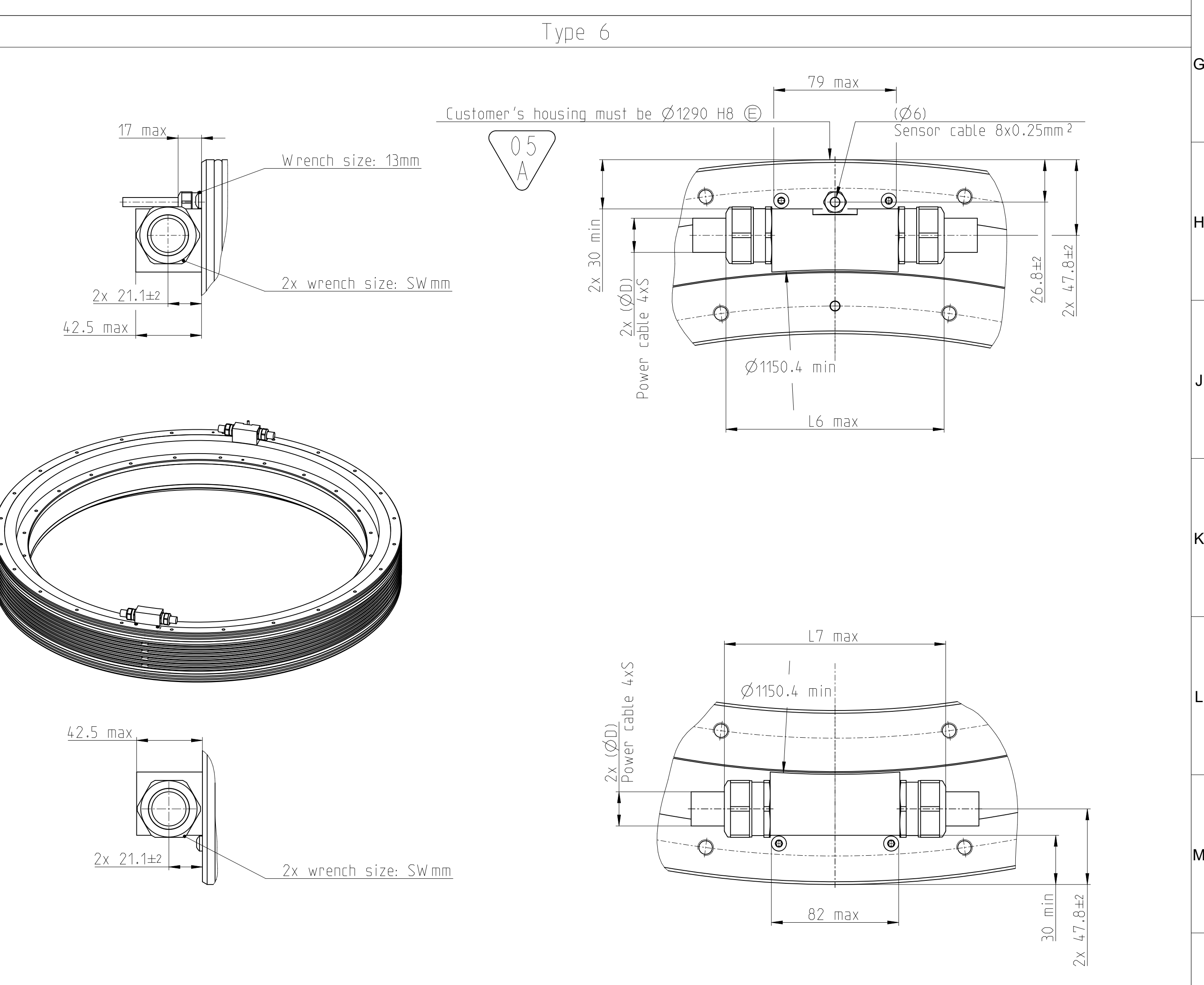
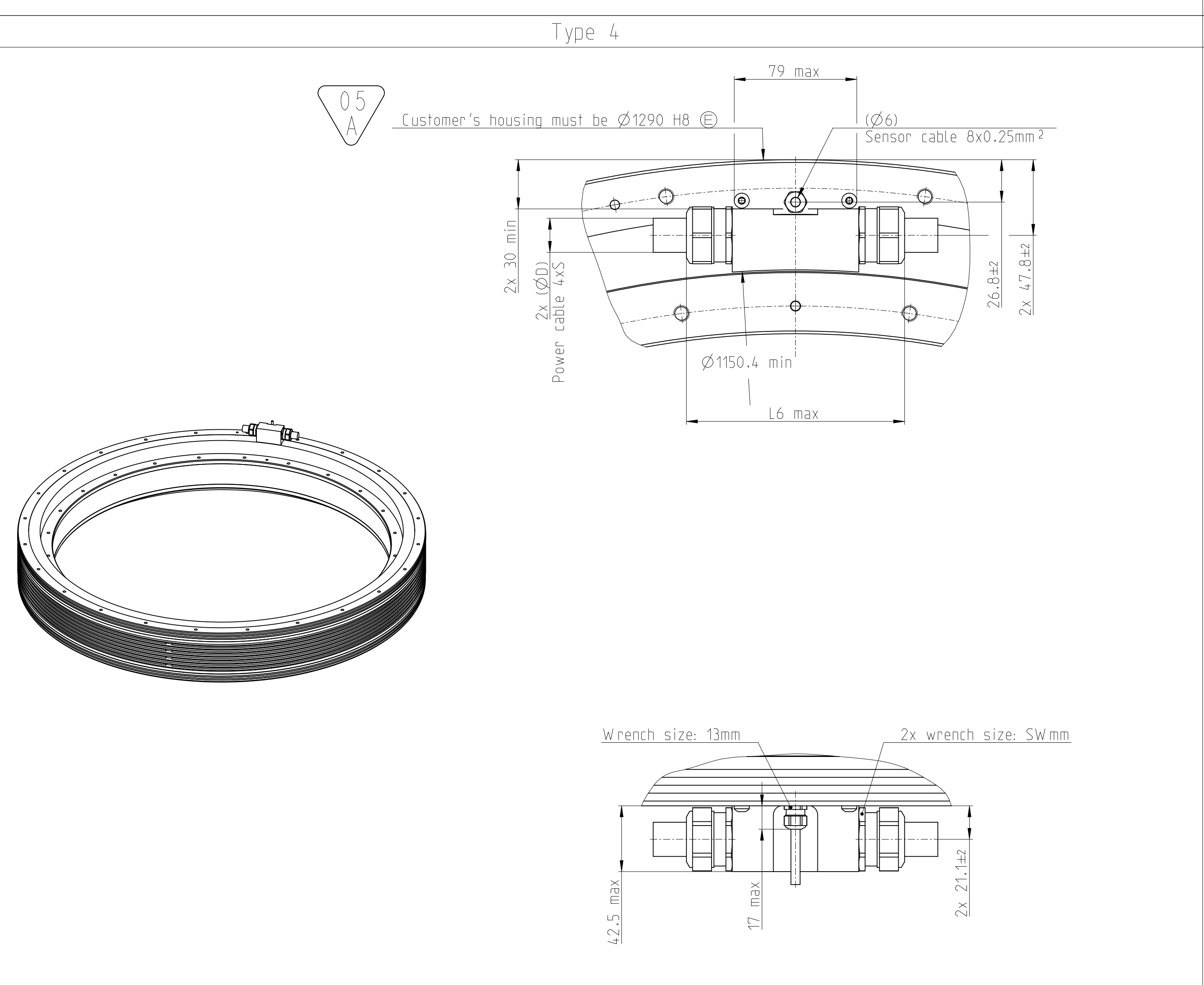
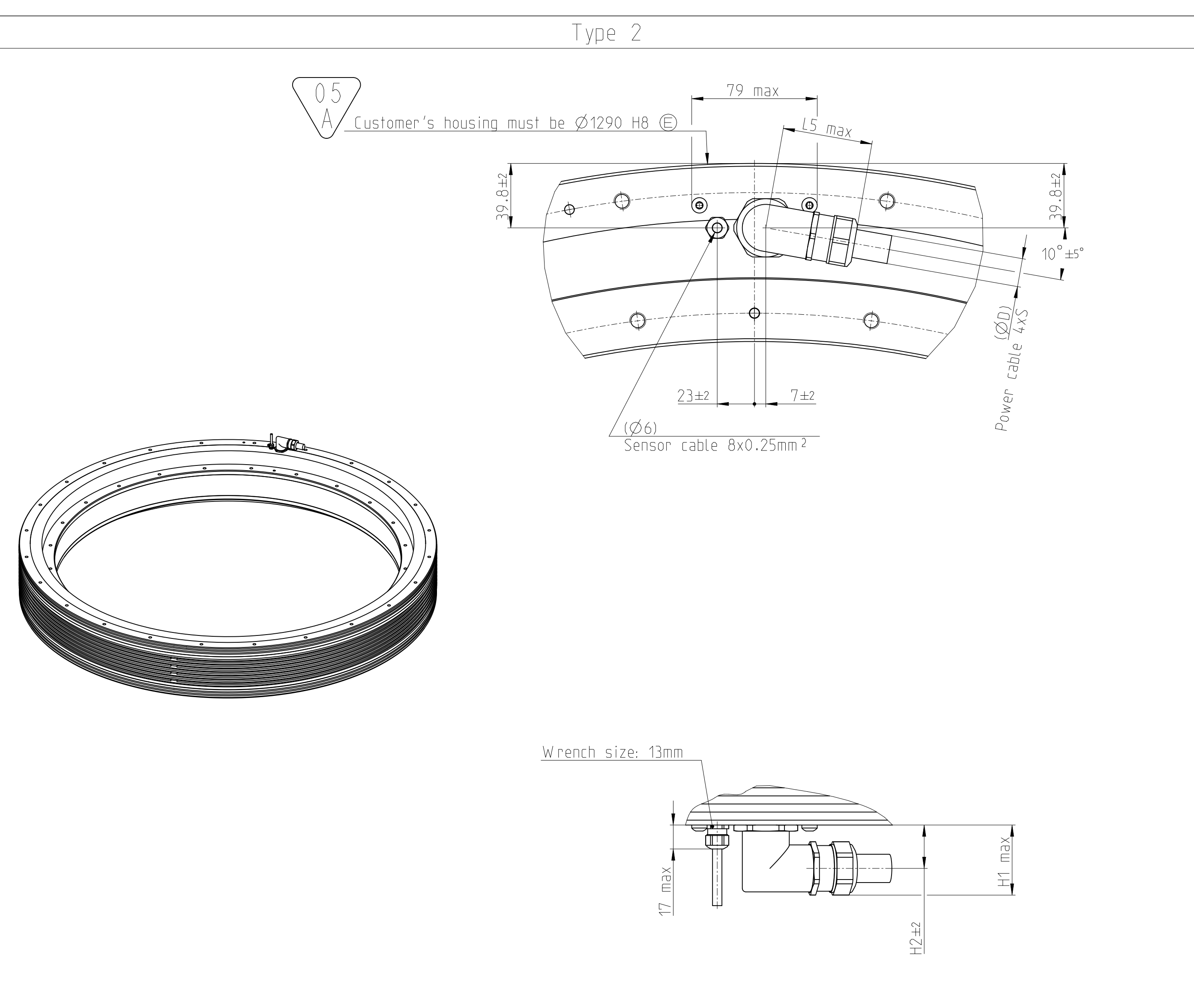
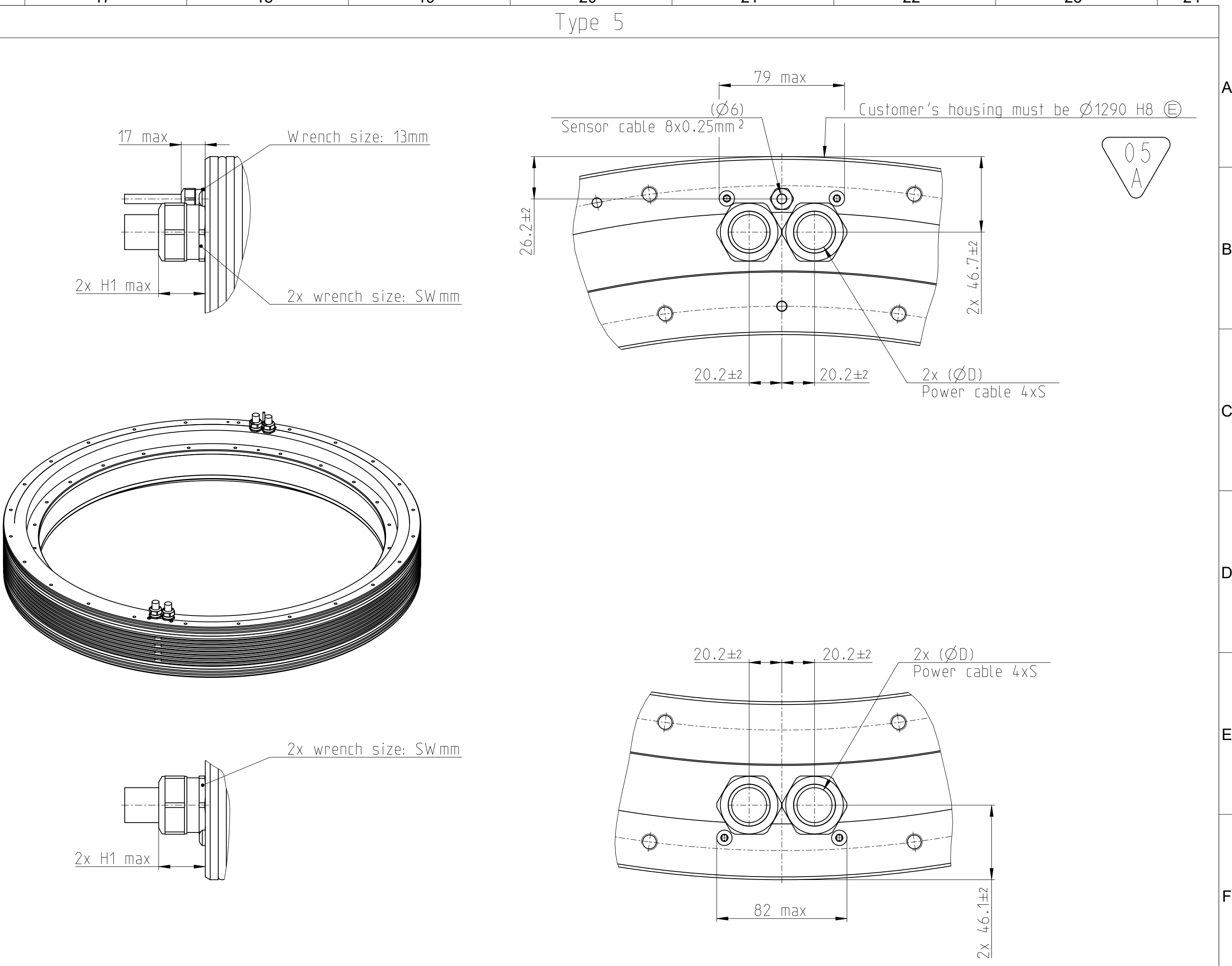
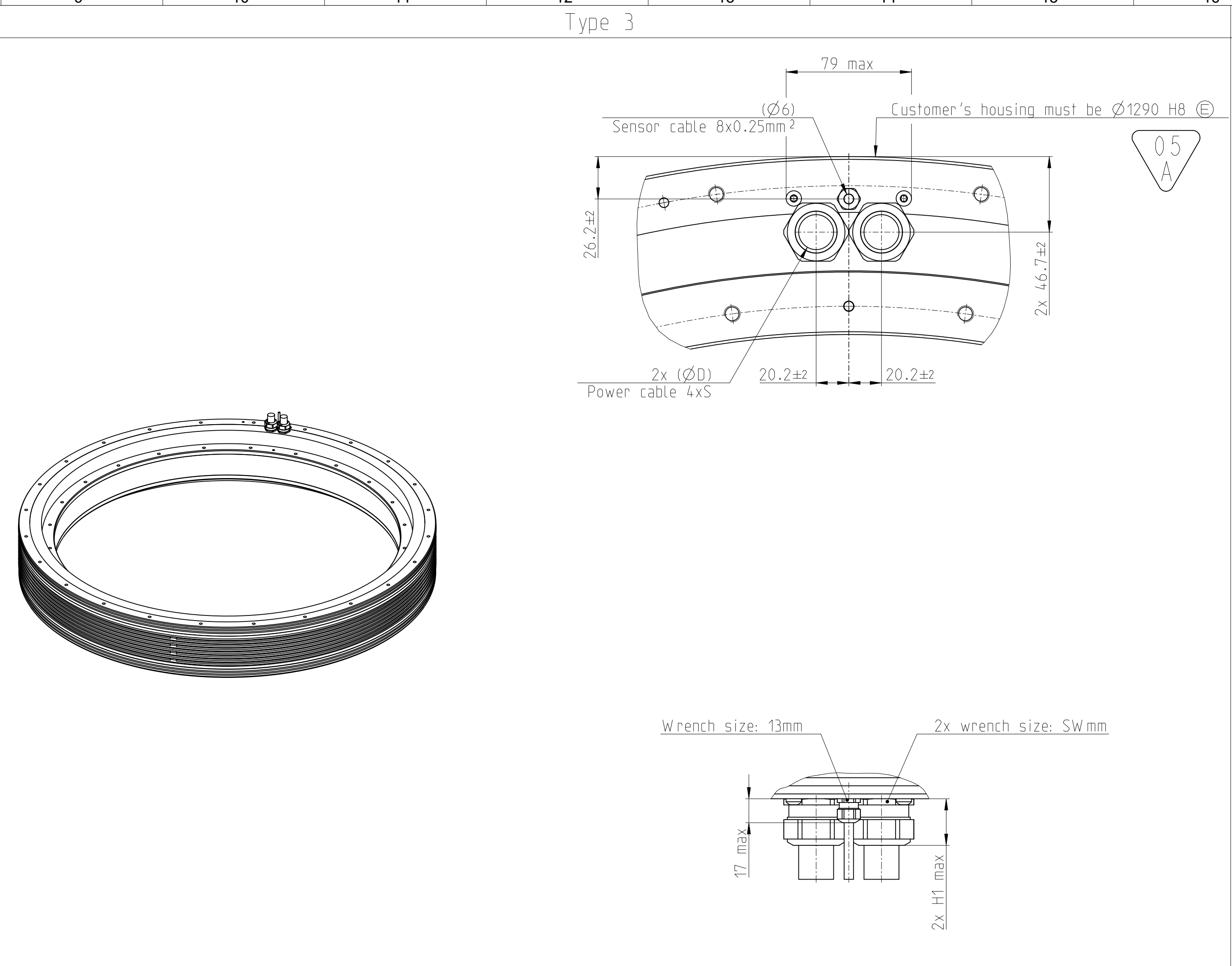
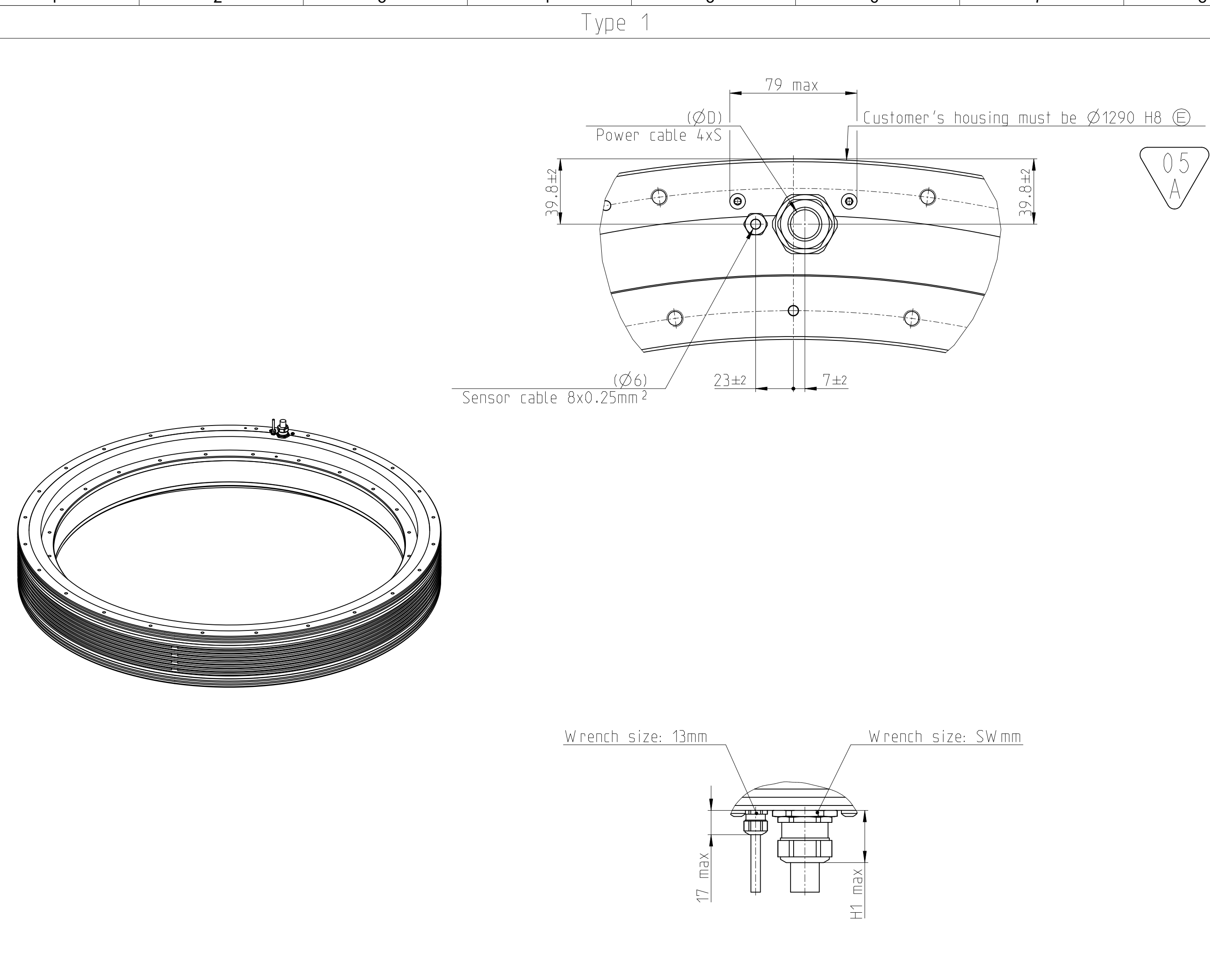


Designation	L1	L2	L3	N1	N2	N3	β
TMB+1221-050	130	85	55				
TMB+1221-070	150	105	75	24	12	24	15°
TMB+1221-100	180	135	105				
TMB+1221-150	230	185	155	48	23	47	7.5°
TMB+1221-200	280	235	206				

Text:		ID number:	C075986-40
Original drawing		Change No.:	14.12.2021
Scale: 1:5		Released:	
Format: A1		Tolerances as per ISO 8015 : 2011	
Dimensions in mm		Tolerances selon ISO 8015 : 2011	
		Dimensions without tolerance	
		Dimensions sans tolérances	
		± 0.2	
The reproduction, distribution and utilization of this document as well as the communication of its contents to others without express authorization is prohibited. Offenders will be held liable for the payment of damages. All rights reserved in the event of the grant of a patent, utility model or design. (ISO 18015)			
ETEL S.A. 2112 Möllers SWITZERLAND		Version / Revision / Sheet / Page	1175520-05-A-01 Document number

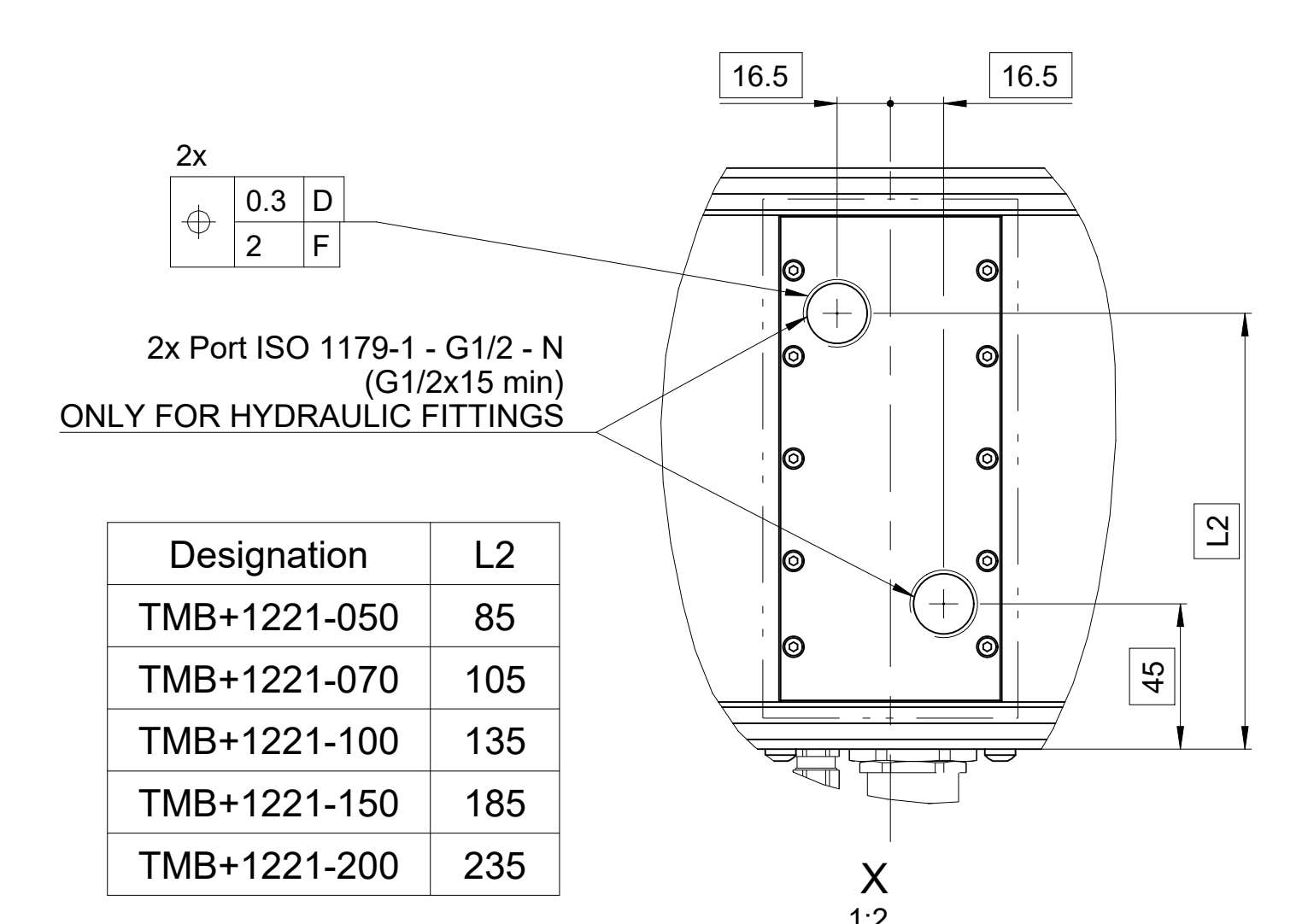
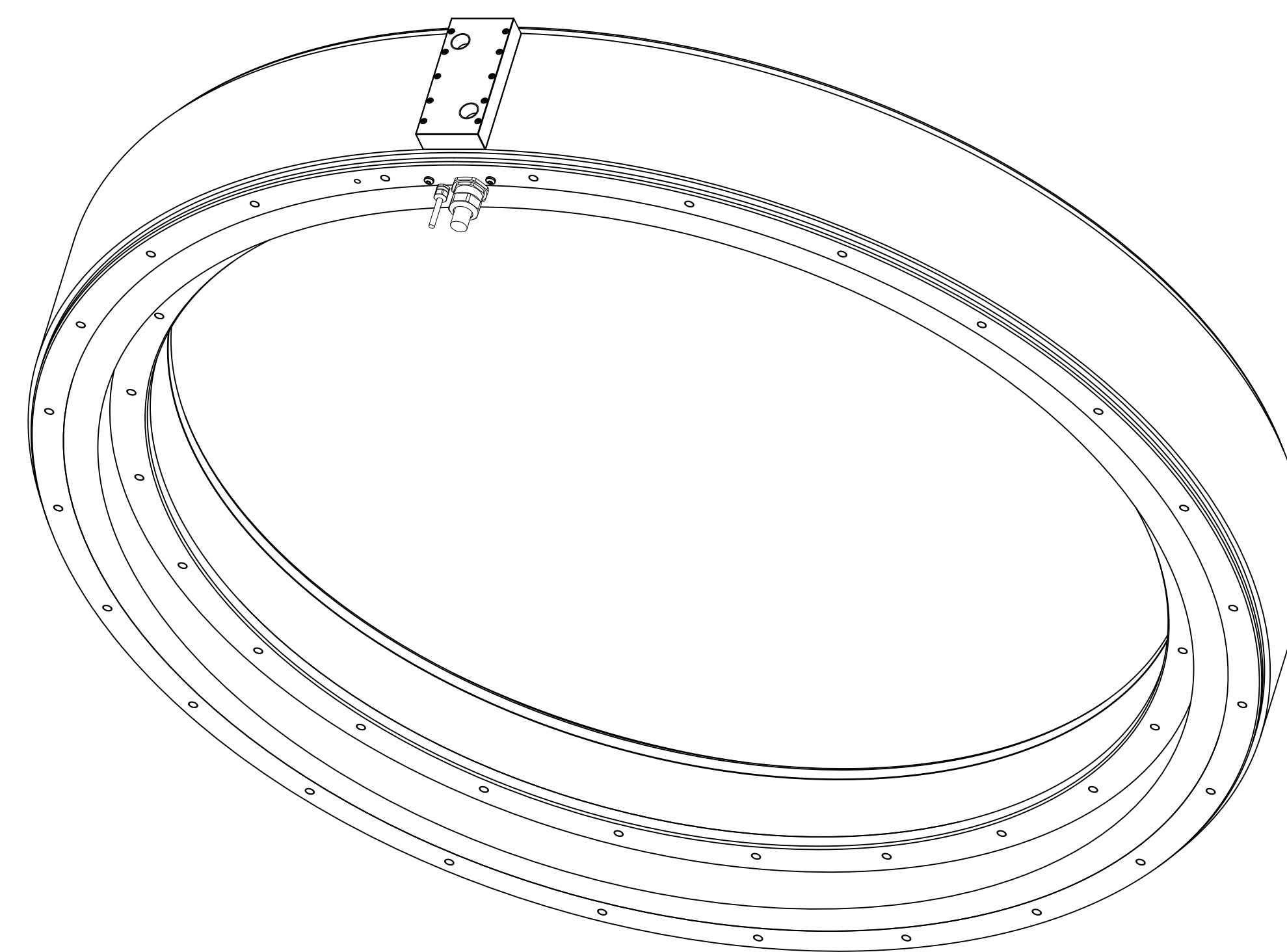
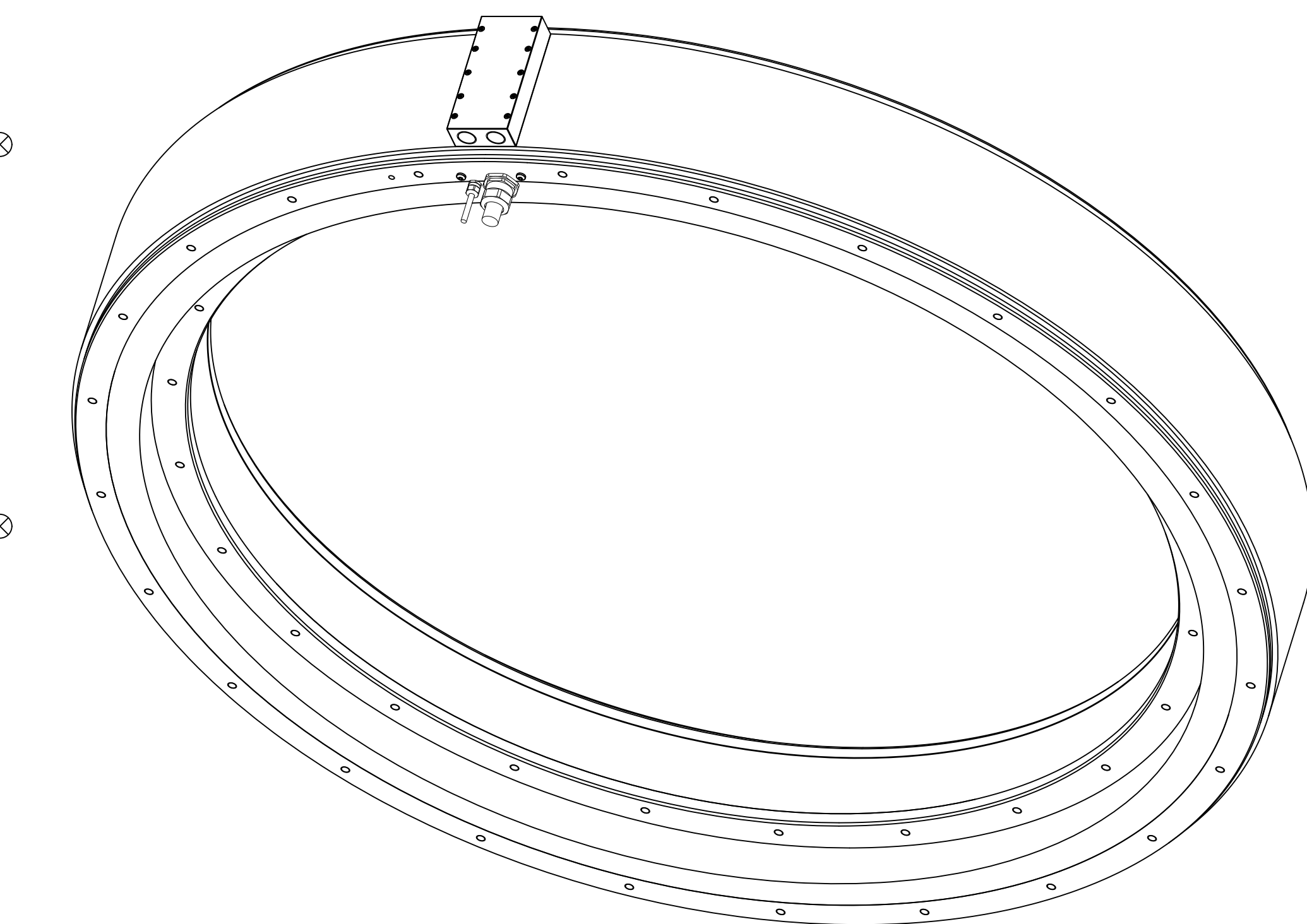
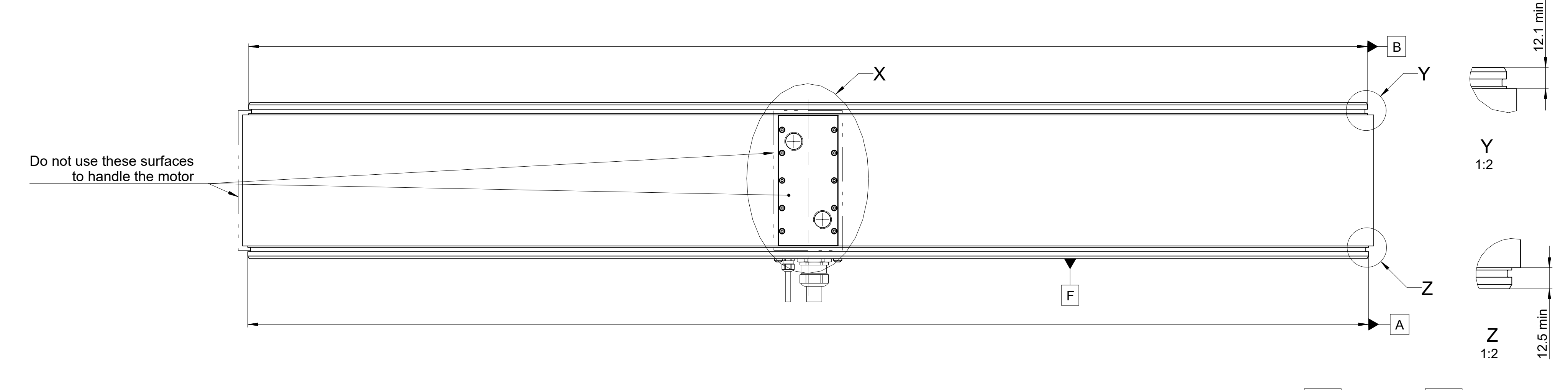
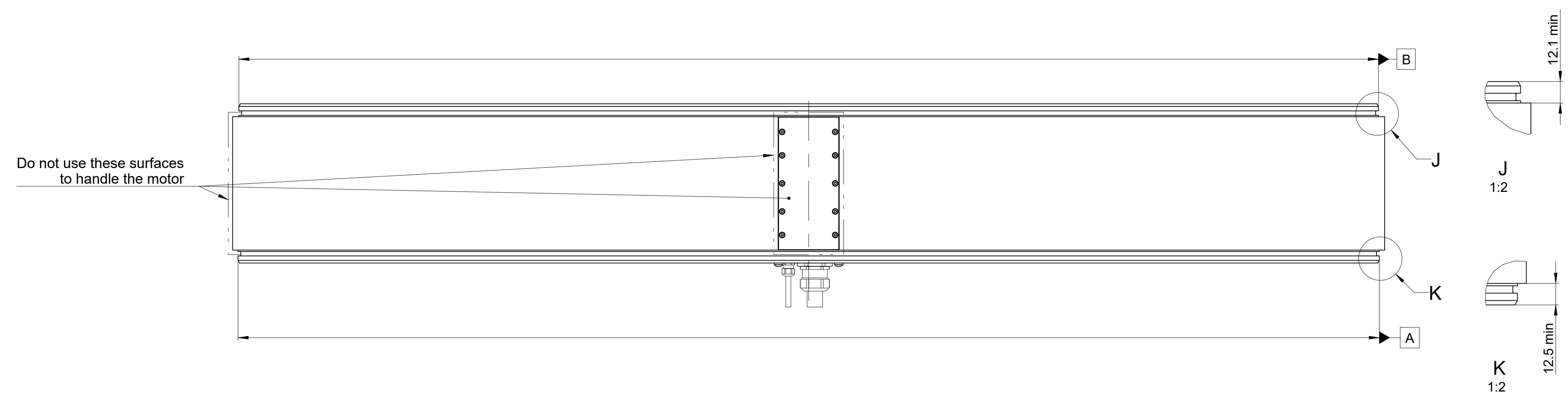
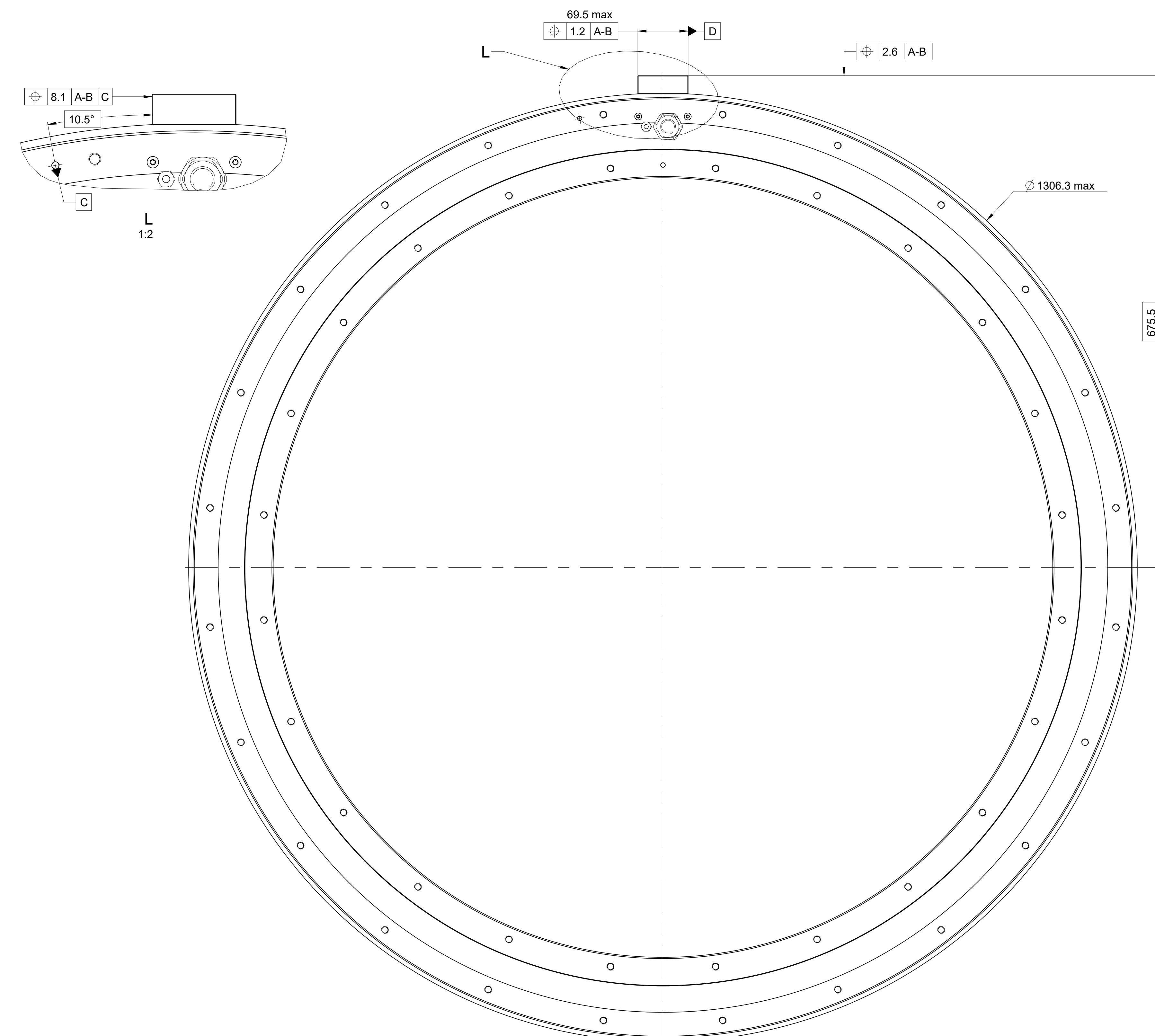
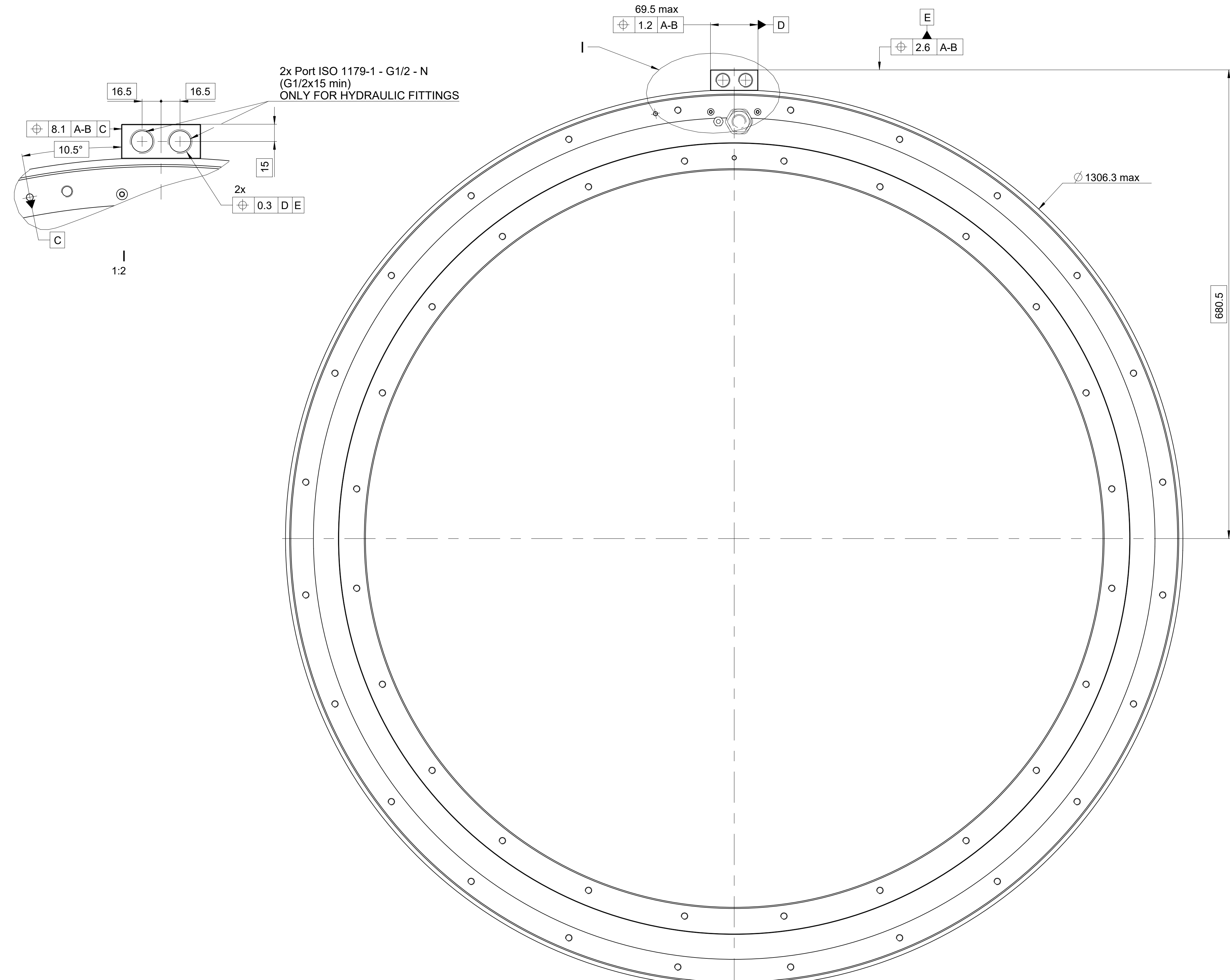


Motor family	0140	0210	0290
	0175		0360
	0291		0450
			0530
Connection	White - Brown	Phase 1	Phase 2
	Green - Yellow	Phase 3	Phase 1
	Grey - Pink	Phase 2	Phase 3
		0760	
	0990		1221

Designation	Output type	S=Wire section	L5	L6	L7	H1	H2	D	SW	Bending radius
[-]	[-]	[mm²]	[mm]	[mm]	[mm]	[mm]	[mm]	[mm]	[mm]	[mm]
TMB+1221-###-WB#S#	Type 1	4	-	-	-	32.5	-	11.9	36	Static bending radius for: - sensor cable = 30 - power cable = 4x \varnothing_{ext} .
TMB+1221-###-WB#E#	Type 2	-	53.5	-	-	38.6	22.8	-		
TMB+1221-###-UD#S#	Type 1	6	-	-	-	35.5	-	14.5		
TMB+1221-###-UD#E#	Type 2	-	59	-	-	45.9	26.8	-		
TMB+1221-###-UE#S#	Type 1	-	-	-	-	38.5	-	-		
TMB+1221-###-UE#E#	Type 2	62	-	-	-	45.9	26.8	-		
TMB+1221-###-UJ#S#	Type 3	-	-	-	-	38.5	-	-		
TMB+1221-###-UJ#E#	Type 4	10	-	156.5	-	-	-	17.5		
TMB+1221-###-UT#S#	Type 5	-	-	156.5	158.5	-	-	-		
TMB+1221-###-UT#E#	Type 6	-	-	62	-	38.5	-	-		
TMB+1221-###-WD#S#	Type 1	-	-	-	-	38.5	-	-		
TMB+1221-###-WD#E#	Type 2	-	62	-	-	45.9	26.8	-		
TMB+1221-###-WJ#S#	Type 1	-	-	-	-	33	-	-		
TMB+1221-###-WJ#E#	Type 2	-	65.5	-	-	48.3	25.7	-		
TMB+1221-###-WT#S#	Type 5	-	-	-	-	33	-	21.6		
TMB+1221-###-WT#E#	Type 6	-	14.6	14.6	-	-	-	-		

TMB+1221-###-#####-A#-AA0
 (Annex to interface drawing 1175520: please check for motor and cable output information)

TMB+1221-###-#####-R#-AA0
 (Annex to interface drawing 1175520: please check for motor and cable output information)



Designation	L2
TMB+1221-050	85
TMB+1221-070	105
TMB+1221-100	135
TMB+1221-150	185
TMB+1221-200	235