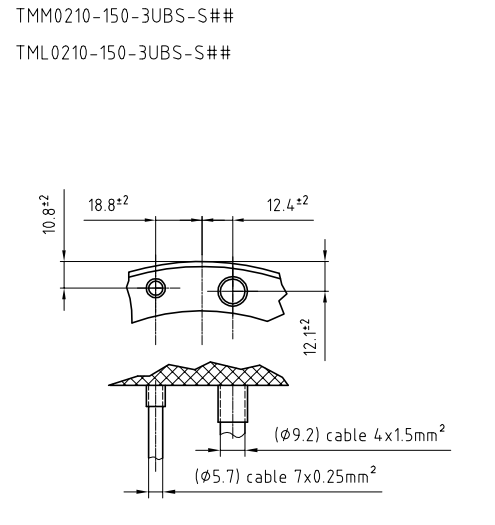
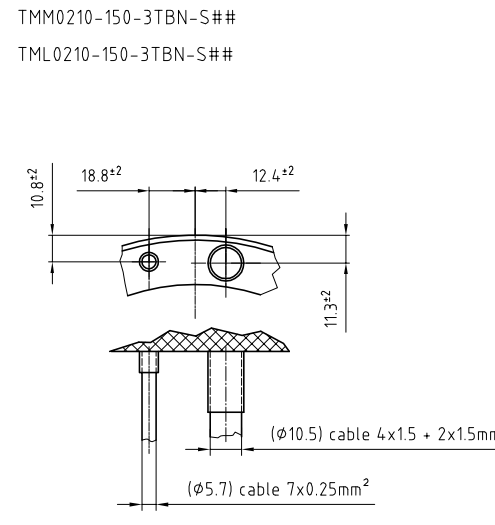
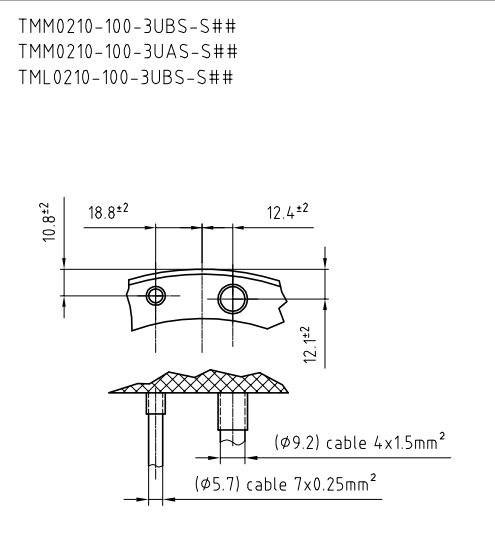
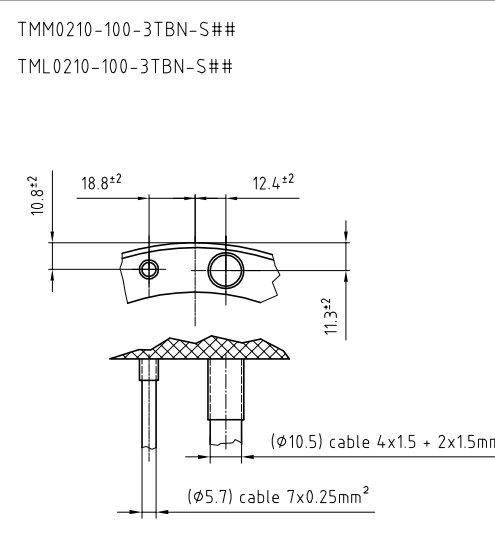
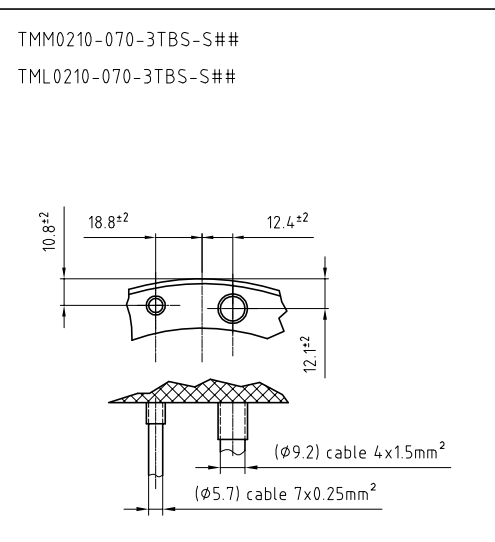
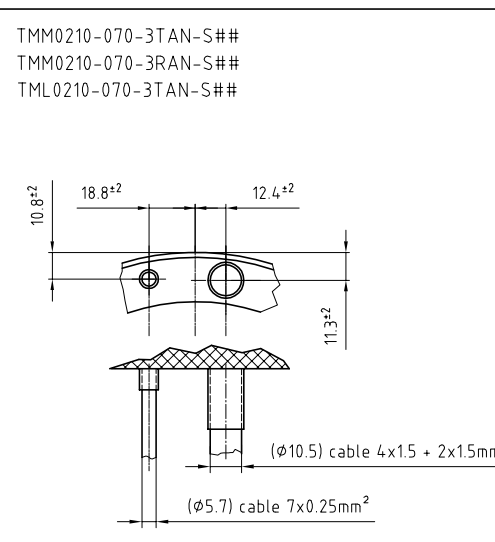
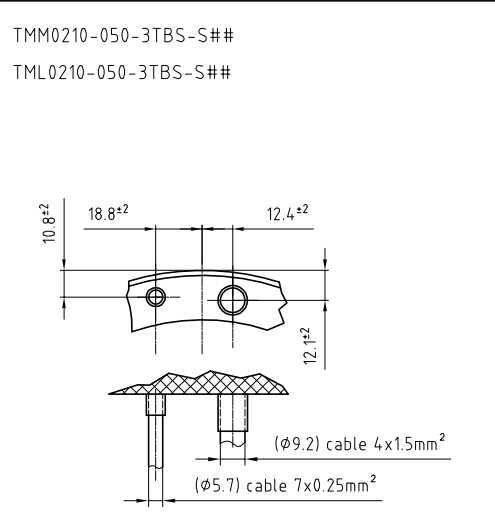
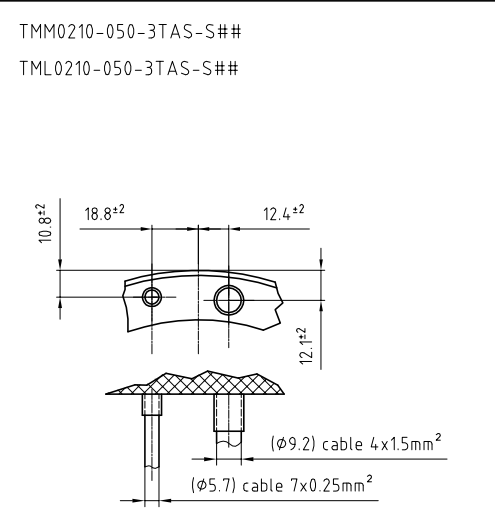
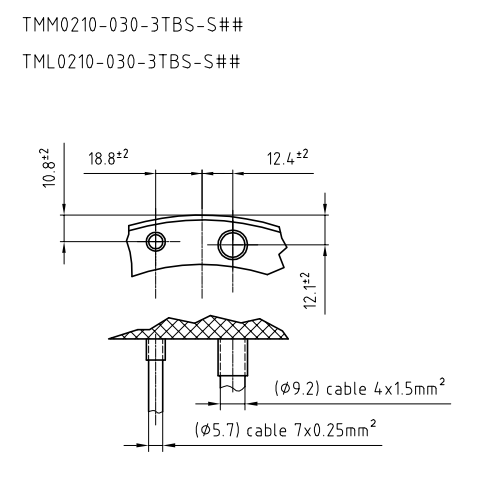
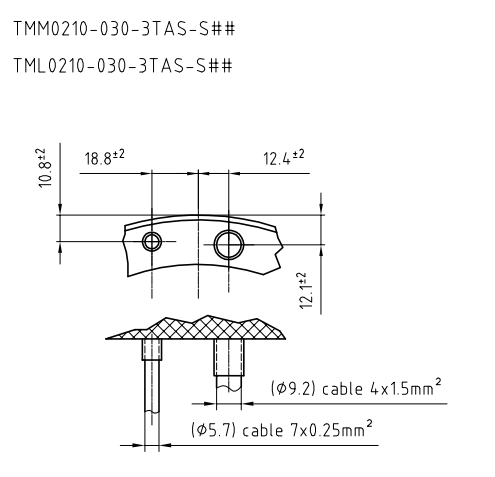


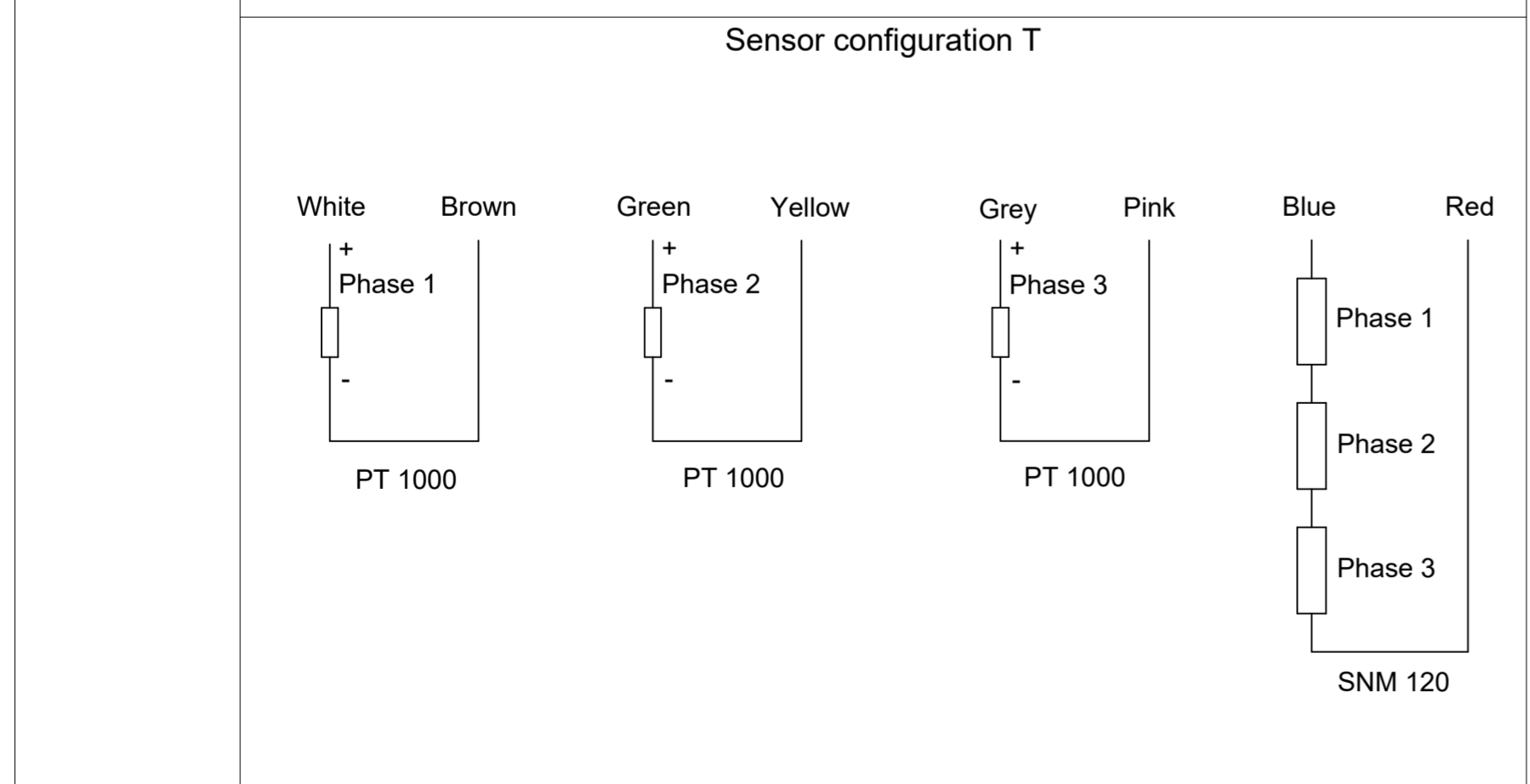
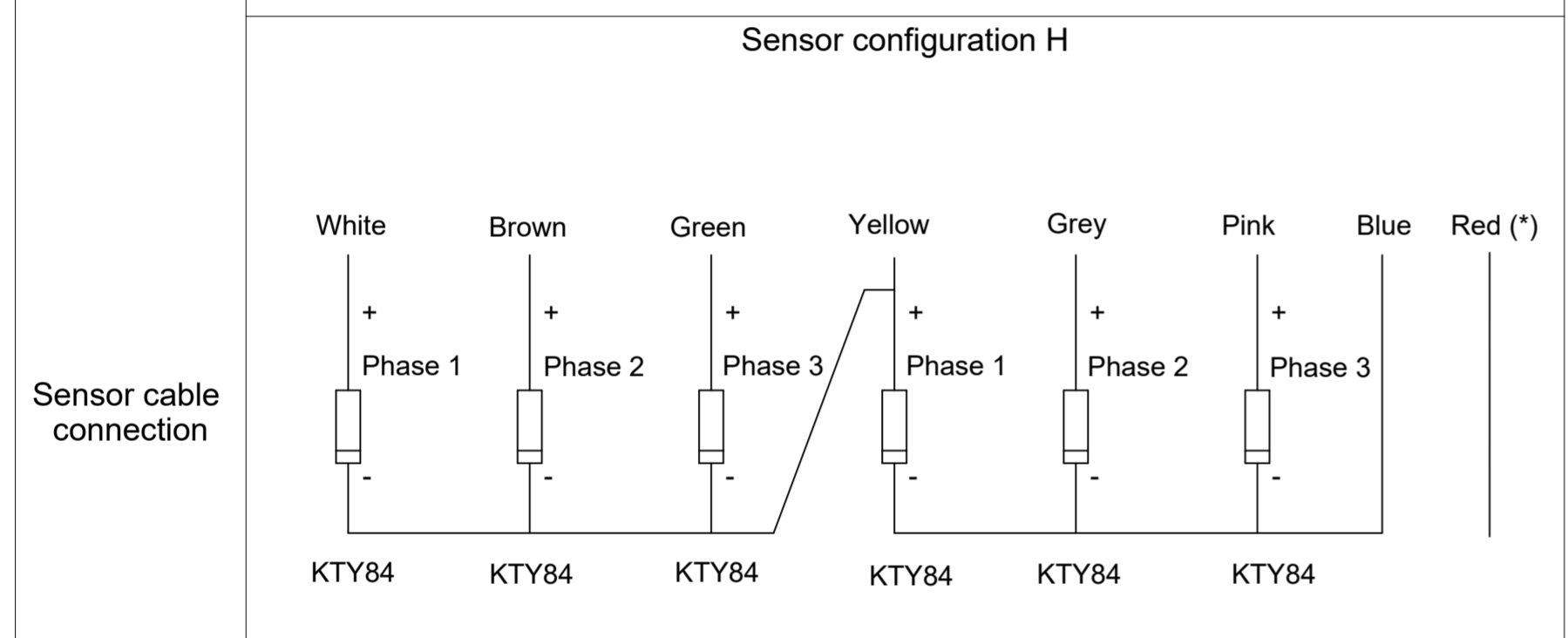
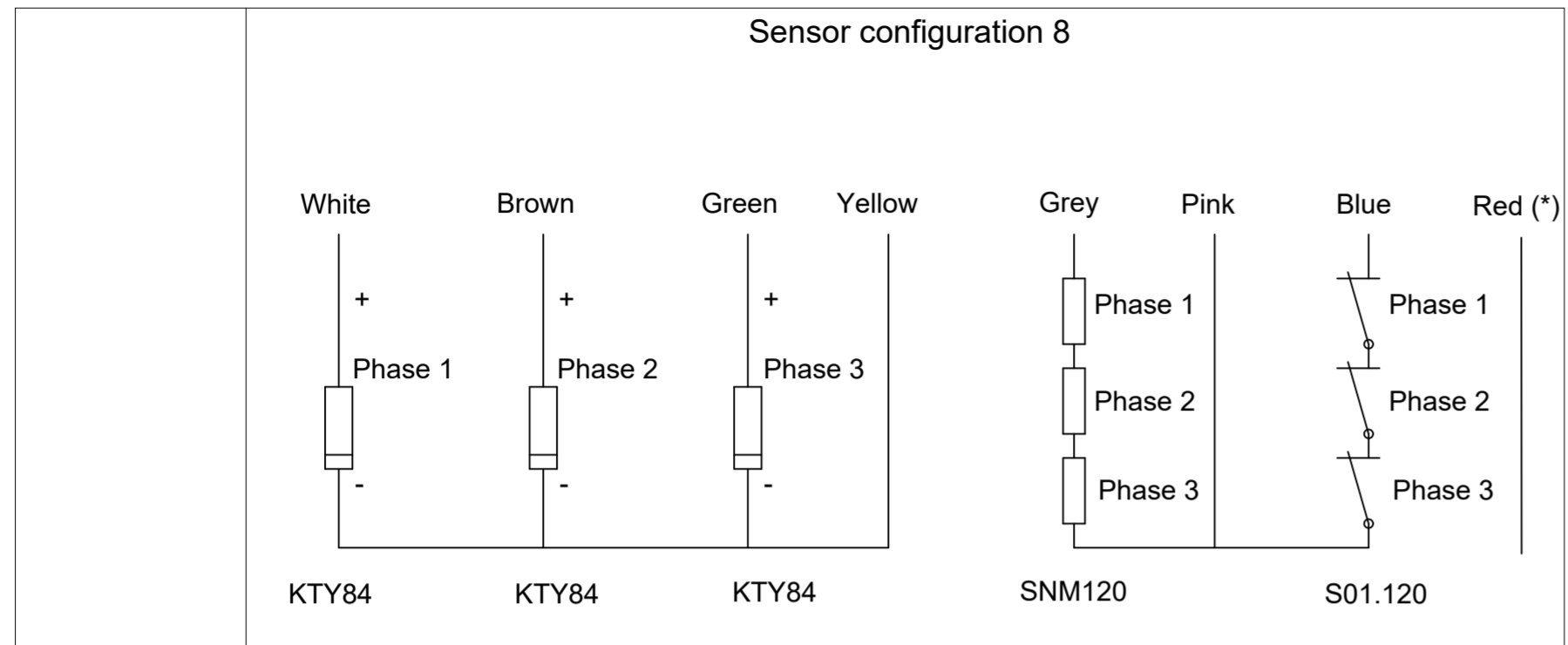




08  
A



FSM N°	Nom	Date	Description: Elbowed output cable removed	
C064986-5	JGU	04.10.17		
Matière:				Equivalence rugosité
Remarque:				Ra µm   Classe
Annexe:				50 N12
				25 N11
				12.5 N10
				6.3 N9
				3.2 N8
				1.6 N7
				0.8 N6
				0.4 N5
				0.2 N4
				0.1 N3
				0.05 N2
				0.025 N1
Arêtes de formes ISO 13715	Torque motor TMM & TML 210 cables outputs		Auteur	Vérificateur
↙ -0.3 ↘ +0.3	Moteur coupleur fer TMM & TML 0210 sorties de câbles		S. Perrot	-
ETEL S.A. CH-2102 Mülheim SWITZERLAND		Ces plans sont notre propriété. Ils ne doivent pas, sans notre autorisation écrite, être copiés, reproduits, communiqués à des tiers. Leur utilisation est strictement réservée à ETEL S.A.	18.07.2005	-
Projection	Format	Echelle	Ancien n°	Version
↖ ↗	A1		0511m-14.0-03	Revision
			538689	-08-A-1
			Feuille	
			1/1	



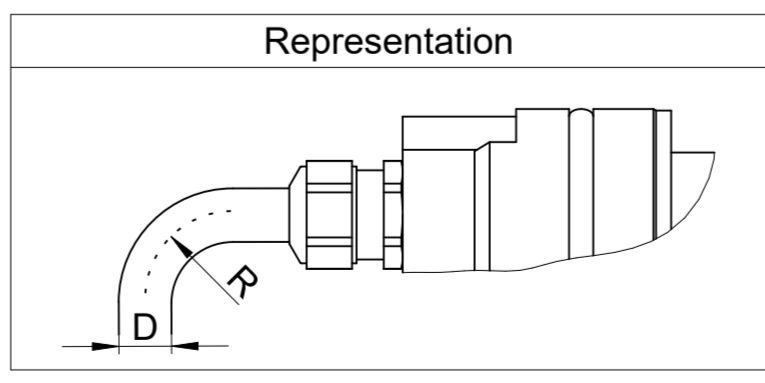
### Power cable connection

Color and wire number	Function	Drawing
Black wire with number 1 or U	Phase 1 (PH1)	
Black wire with number 2 or V	Phase 2 (PH2)	
Black wire with number 3 or W	Phase 3 (PH3)	
Yellow and green wire	Ground (GND)	
Black wire with number Br1 or 5 or white cable	Neutral point wire (present only on some motor types)	
Black wire with number Br2 or 6 or black wire without label	None(**)	

(\*\*): This wire is automatically present when the neutral point wire (which is an option) is added in the motor as it is a 2 x 1.5 mm<sup>2</sup> cable.

### Wire section (mm<sup>2</sup>)

Characteristics	4 x 1.5	4 x 1.5 + 2 x 1.5	4 x 2.5	4 x 2.5 + 2 x 1.5	4 x 4	4 x 4 + 2 x 1.5	4 x 10	4 x 10 + 2 x 1.5	Sensor cable
Applicable motors: TMM / TML	0140 0175 0210 0291 0360 0450	0175 0210 0291 0360 0450 0530	0291 0360	0360 0530	0360 0450 0530	0360 0450 0530	0450 0530	0530	All TMM / TML
Minimum bend radius for fixed cable	R = 4 X D	R = 5 X D	R = 4 X D	R = 5 X D	R = 4 X D	R = 4 X D	R = 4 X D	R = 4 X D	R = 6 X D
Minimum bend radius for moving cable	R = 7.5 X D	R = 7.5 X D	R = 7.5 X D	R = 7.5 X D	R = 7.5 X D	R = 7.5 X D	R = 7.5 X D	R = 7.5 X D	R = 12 X D



(\*): Red wire (if present) is not connected on the motor side and cutted flush on cable extremity.

Text:		ID number:	
Original drawing		Change No. C145178-05	
Scale		Released: 20-Sep-22	
Format		TMM / TML sensor config. and cables prop. (interface)	
Dimensions in mm		TMM / TML config. capteur et prop. câbles (interface)	
1:1		A2	
		Mating Dimensions / Cotes d'encombrement	
		Tolerances as per ISO 8015 : 2011	
		Tolérances selon ISO 8015 : 2011	
		Dimensions without tolerance ± 0,2	
		Dimensions sans tolérances	
The reproduction, distribution and utilization of this document as well as the communication of its contents to others without express authorization is prohibited. Offenders will be held liable for the payment of damages. All rights reserved in the event of the grant of a patent, utility model or design. (ISO 16016)			
<b>ETEL</b>		ETEL S.A. 2112 Môtiers SWITZERLAND	
		Version   Revision   Sheet   Page	
		1389869-00 - A-01	
		Document number	
		1 of 1	